

NOTES:

1. UNLESS OTHERWISE SPECIFIED, TOLERANCES ARE  $\pm .010$ " (.254mm).

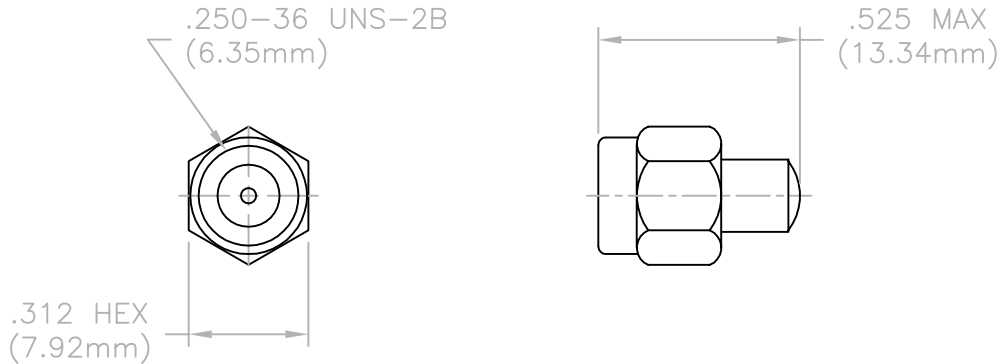
CAD#120005\_2

DRAWING NO.

12-0005

REV.

N/C




MATERIAL:

BODY & COUPLING NUT: SS PER QQ-S-764  
 CONTACT: BERYLLIUM COPPER PER QQ-C-530  
 SUBSTRATE: ALUMINA

FINISH:

BODY & CONTACT: GOLD PER MIL-G-45204  
 COUPLING NUT: PASSIVATE PER QQ-P-35

				<p align="center"><u>UNLESS OTHERWISE SPECIFIED</u></p> <p>1. DIMENSIONS ARE AFTER PLATING</p> <p>2. DIAMETERS ON COMMON Q TO BE CONCENTRIC WITH ____ T.I.R.</p> <p>3. SURFACE ROUGHNESS 63/</p> <p>4. CORNERS AND EDGES .005 R. MAX</p> <p>5. REMOVE BURRS AND BREAK SHARP EDGES</p>	REFERENCE		 <p>P.O. BOX 899 STUART, FL. 34995</p>		
					MATERIAL		TITLE		
					FINISH		TERMINATION, COAXIAL SMA		
					SCALE	CAGE CODE ID NO.	SIZE	DRAWING NO.	REV.
N/C	RLSE#02432	07/98			2X	2Y194	A	12-0005	N/C
REV.	DESCRIPTION	DATE	APPR.	TOLERANCES		APPR.	CHK	DRAWN BLP 07/08/98	SHEET 1 OF 2
				DECIMAL	FRACTION	ANGLES			
				.X ±					
				.XX ±		± ____			
				.XXX ±					
				ALL DIMENSIONS ARE IN INCHES					

CAD#120005\_3

DRAWING NO.

12-0005

REV

N/C

REQUIREMENTS	RATING	REQUIREMENTS	RATING
NOMINAL IMPEDANCE (OHMS)	50	VIBRATION	MIL-STD-202 METHOD 204 COND. D (20 G's)
FREQUENCY RANGE (GHz)	DC-12.4		
TEMPERATURE COEFFICIENT	200 PPM	SHOCK	MIL-STD-202 METHOD 213 COND. I (100 G's)
OPERATING TEMPERATURE (°C)	-55 TO +125		
VSWR	1.05 + .01f (f=GHz)	THERMAL SHOCK	MIL-STD-202 METHOD 107 COND. B (-65 TO +125 °C)
AVERAGE POWER (WATTS)	0.5		
DC RESISTANCE	50 OHMS ± 5%	BAROMETRIC PRESSURE	MIL-STD-202 METHOD 105 COND. C
		INTERFACE DIMENSIONS	MIL-STD-348 SMA SERIES
<p>AVERAGE POWER DERATING</p>		TORQUE REQUIREMENT	MIL-D-39030/3 SMA SERIES 7-10 IN/LBS (PER PAIR)

TITLE TERMINATION,  
COAXIAL SMA



P.O. BOX 899  
STUART, FL. 34995

DRAWN BLP 07/08/98  
SHEET 2 OF 2

DRAWING NO.

12-0005

REV

N/C