

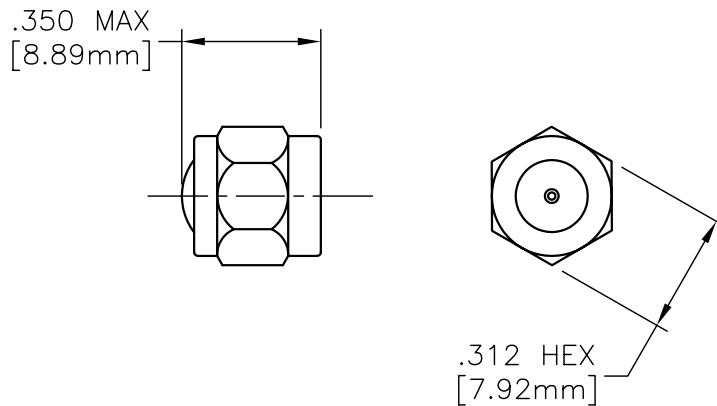
EDD

NOTES:
1. UNLESS OTHERWISE SPECIFIED, TOLERANCES ARE $\pm .010$ " [.254mm].

CAD#12-0008_B

DRAWING NO.:
12-0008

REV.
B



MATERIALS:


BODY & COUPLING NUT: STAINLESS STEEL, PER QQ-S-764
CONTACT: BERYLLIUM COPPER PER ASTM B196
RESISTIVE FILM: NICHROME

FINISH:

BODY: GOLD PER MIL-G-45204
CONTACT: GOLD PER MIL-G-45204
COUPLING NUT: PASSIVATE PER QQ-P-35B

ELECTRICAL: (TERMINATION)

NOMINAL IMPEDANCE: 50 OHMS
FREQUENCY RANGE: DC-18 GHz
VSWR (MAX): 1.30:1
AVERAGE POWER: 1 WATT
DC RESISTANCE: 50.0 \pm 5% OHMS
TEMPERATURE COEFFICIENT: \pm 200 PPM MAX
OPERATING TEMPERATURE: -55° TO +150° (°C)

				ECN# 02028	APVD	DATE	REFERENCE	 8851 OLD KANSAS AVE. STUART, FL. 34997 772-286-9300			
UNLESS OTHERWISE SPECIFIED 1. DO NOT SCALE DRAWING 2. DIMENSIONS ARE IN INCHES 3. DIMENSIONS ARE AFTER PLATING 4. CORNERS, EDGES AND FILLETS: R 5. SURFACE ROUGHNESS: 6. REMOVE ALL BURRS							MATERIAL		TITLE		
TOLERANCES .X \pm .XX \pm .XXX \pm ANGLES X° \pm							FINISH	TERMINATION, COAXIAL SMA 1 WATT			
THE INFORMATION CONTAINED HEREIN IS: (A) CONSIDERED PROPRIETARY TO FLORIDA RF LABS INC.; (B) PROTECTED BY COPYRIGHT OWNED BY FLORIDA RF LABS INC.; (C) CONSIDERED A "WORK FOR HIRE" UNDER COPYRIGHT LAW; (D) PROTECTED BY TRADE SECRET LAWS WHICH MAKE ILLEGAL THE MISAPPROPRIATION OF THIS INFORMATION; AND (E) IS TO BE USED SOLELY FOR THE PURPOSE WHICH IT IS SUPPLIED. THIS INFORMATION SHALL NOT BE DISCLOSED IN WHOLE OR IN PART, TO ANY PARTY, FOR ANY REASON WITHOUT THE EXPRESS WRITTEN CONSENT OF A QUALIFIED EXECUTIVE OF FLORIDA RF LABS INC.							SCALE 2/1	CAGE CODE ID NO. 2Y194	SIZE A	DRAWING NO.: 12-0008	REV. B
REV.	DESCRIPTION	DRAWN	APVD.				MFG:	CHKD.:	DRAWN: ALM 04/18/03	SHEET	OF