

1. UNLESS OTHERWISE SPECIFIED, TOLERANCES ARE ± 0.010 " (.254mm)

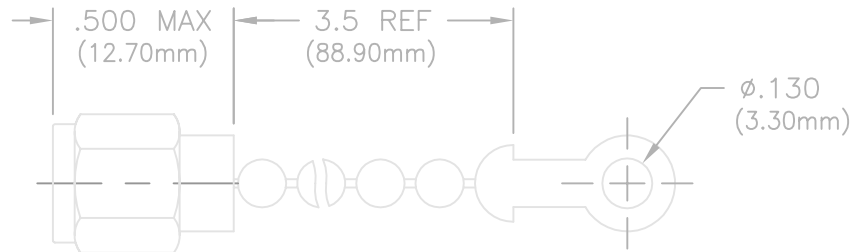
CAD#120014A2

DRAWING NO.

12-0014

REV.

A




MATERIALS:

BODY, COUPLING NUT AND CHAIN ASSEMBLY: STAINLESS STEEL
 PER ASTM A582
 CONTACT AND LOCK RING: BERYLLIUM COPPER PER ASTM B196
 INSULATOR: TEFLON
 GASKET: SILICONE RUBBER PER ZZ-R-765
 SUBSTRATE: ALUMINA
 RESISTIVE FILM: NICHROME

FINISH:

BODY, COUPLING NUT AND CHAIN ASSEMBLY: PASSIVATED
 PER QQ-P-35
 CONTACT: GOLD PER MIL-G-45204

				<p style="text-align: center;"><u>UNLESS OTHERWISE SPECIFIED</u></p> <p>1. DIMENSIONS ARE AFTER PLATING</p> <p>2. DIAMETERS ON COMMON ϕ TO BE CONCENTRIC WITHIN _____ T.I.R.</p> <p>3. SURFACE ROUGHNESS _____ ✓</p> <p>4. CORNERS AND EDGES _____ R. MAX.</p> <p>5. REMOVE BURRS AND BREAK SHARP EDGES</p>	REFERENCE _____			 <p>P.O. BOX 899 STUART, FL. 34995</p>	
					MATERIAL _____				TITLE
						FINISH _____			TERMINATION, SMA PLUG 2 WATT W/CHAIN
						SCALE	CAGE CODE ID NO.	SIZE	DRAWING NO.
A	DCN#0786	07/98			2X	2Y194	A	12-0014	A
N/C	RLSE#02092	02/97	MTG		APPR. MTG 02/10/97	CHK RF 02/10/97		DRAWN PSC 2/5/97	SHEET 1 OF 2
REV.	DESCRIPTION	DATE	APPR.	<p>TOLERANCES</p> <p>DECIMAL FRACTION ANGLES</p> <p>.X ± ± ±</p> <p>.XX ± ± ±</p> <p>.XXX ± ± ±</p> <p>ALL DIMENSIONS ARE IN INCHES</p>					

CAD#120014A3

DRAWING NO.
12-0014

REV.
A

REQUIREMENTS	RATING	REQUIREMENTS	RATING
NOMINAL IMPEDANCE (OHMS)	50	VIBRATION	MIL-STD-202 METHOD 204 COND. D (20 G's)
FREQUENCY RANGE (GHz)	DC - 18.0		
TEMPERATURE COEFFICIENT	LESS THAN 200 PPM	SHOCK	MIL-STD-202 METHOD 213 COND. 1 (100 G's)
OPERATING TEMPERATURE (°C)	-55 TO +125		
VSWR (MAXIMUM)	DC-4.0: 1.05:1	THERMAL SHOCK	MIL-STD-202 METHOD 107G COND. B (-65 TO +125° C)
	4.0-8.0: 1.10:1	BAROMETRIC PRESSURE	MIL-STD-202 METHOD 105 COND. C
	8.0-12.0: 1.15:1		
	12.0-18.0: 1.25:1		
AVERAGE POWER (WATTS)	2.0	INTERFACE DIMENSIONS	MIL-C-39012C SMA SERIES
DC RESISTANCE	50 OHMS ± 5%		
<p style="text-align: center;"><u>AVERAGE POWER DERATING</u></p>		TORQUE REQUIREMENT	MIL-D-39030/ SMA SERIES 7-10 IN/LBS (PER PAIR)

TITLE TERMINATION, SMA PLUG
2 WATT W/CHAIN



P.O. BOX 899
STUART, FL. 34995

DRAWN PSC 2/5/97
SHEET 2 OF 2

DRAWING NO.
12-0014

REV.
A