

1. UNLESS OTHERWISE SPECIFIED, TOLERANCES ARE .010" (.254mm)

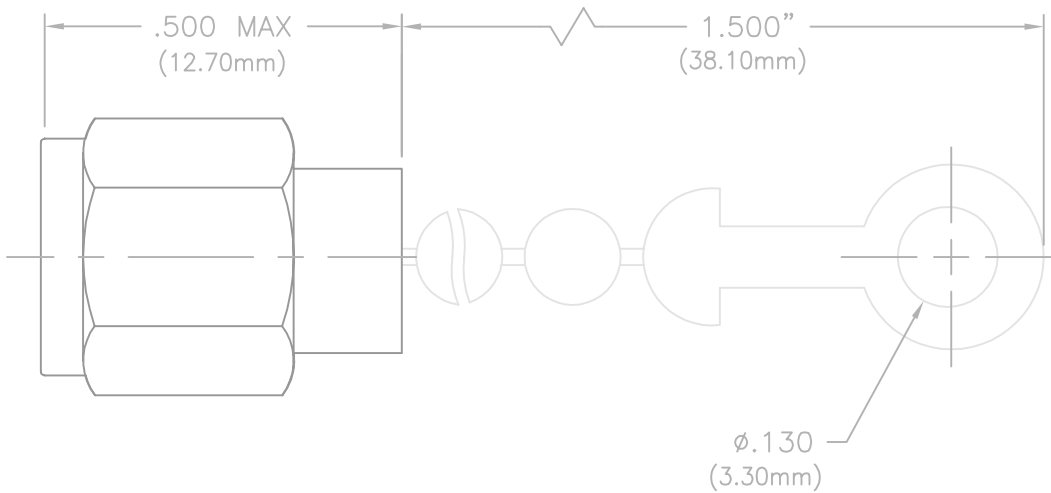
CAD#120024A2

DRAWING NO.

12-0024

REV.

A




MATERIALS:

BODY, COUPLING NUT AND CHAIN ASSEMBLY: STAINLESS STEEL PER ASTM A582  
 CONTACT AND LOCK RING: BERYLLIUM COPPER PER ASTM B196  
 INSULATOR: TEFLON  
 GASKET: SILICONE RUBBER PER ZZ-R-765  
 SUBSTRATE: ALUMINA  
 RESISTIVE FILM: NICHROME

FINISH:

BODY, COUPLING NUT AND CHAIN ASSEMBLY: PASSIVATED PER QQ-P-35  
 CONTACT: GOLD PER MIL-G-45204

				<p><u>UNLESS OTHERWISE SPECIFIED</u></p> <p>1. DIMENSIONS ARE AFTER PLATING</p> <p>2. DIAMETERS ON COMMON <math>\phi</math> TO BE CONCENTRIC WITHIN _____ T.I.R.</p> <p>3. SURFACE ROUGHNESS _____ ✓</p> <p>4. CORNERS AND EDGES _____ R. MAX.</p> <p>5. REMOVE BURRS AND BREAK SHARP EDGES</p>	REFERENCE			P.O. BOX 899 STUART, FL. 34995			
					MATERIAL	TITLE					
					FINISH	TERMINATION, SMA PLUG 2 WATT W/CHAIN					
					SCALE	CAGE CODE ID NO.	SIZE	DRAWING NO.	REV.		
A	DCN#0786	07/98		DECIMAL	FRACTION	ANGLES	4X	2Y194	A	12-0024	A
N/C	RLSE#02359	04/98	MTG	.X ±							
				.XX ±	±	± _____					
				.XXX ±							
REV.	DESCRIPTION	DATE	APPR.	ALL DIMENSIONS ARE IN INCHES							
				APPR. MJK 04/09/98	CHK NAK 04/07/98		DRAWN GEC 04/06/98	SHEET	OF		

CAD#120024A3

DRAWING NO.

12-0024

REV.

A

REQUIREMENTS	RATING	REQUIREMENTS	RATING
NOMINAL IMPEDANCE (OHMS)	50	VIBRATION	MIL-STD-202 METHOD 204 COND. D (20 G's)
FREQUENCY RANGE (GHz)	DC - 18.0		
TEMPERATURE COEFFICIENT	LESS THAN 200 PPM	SHOCK	MIL-STD-202 METHOD 213 COND. 1 (100 G's)
OPERATING TEMPERATURE (°C)	-55 TO +125		
VSWR (MAXIMUM)	DC-4.0: 1.05:1	THERMAL SHOCK	MIL-STD-202 METHOD 107G COND. B (-65 TO +125° C)
	4.0-8.0: 1.10:1		
	8.0-12.0: 1.15:1	BAROMETRIC PRESSURE	MIL-STD-202 METHOD 105 COND. C
	12.0-18.0: 1.25:1		
AVERAGE POWER (WATTS)	2.0	INTERFACE DIMENSIONS	MIL-C-39012C SMA SERIES
DC RESISTANCE	50 OHMS ± 5%	TORQUE REQUIREMENT	MIL-D-39030/ SMA SERIES 7-10 IN/LBS (PER PAIR)
<p style="text-align: center;"><u>AVERAGE POWER DERATING</u></p>			

TITLE TERMINATION, SMA PLUG  
2 WATT W/CHAIN



P.O. BOX 899  
STUART, FL. 34995

DRAWN GEC 04/06/98

SHEET 2 OF 2

DRAWING NO.

12-0024

REV.

A