

**EDD**

NOTES:  
UNLESS OTHERWISE SPECIFIED, TOLERANCES ARE ± .010" [.254mm].

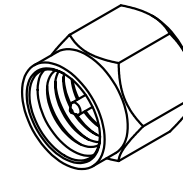
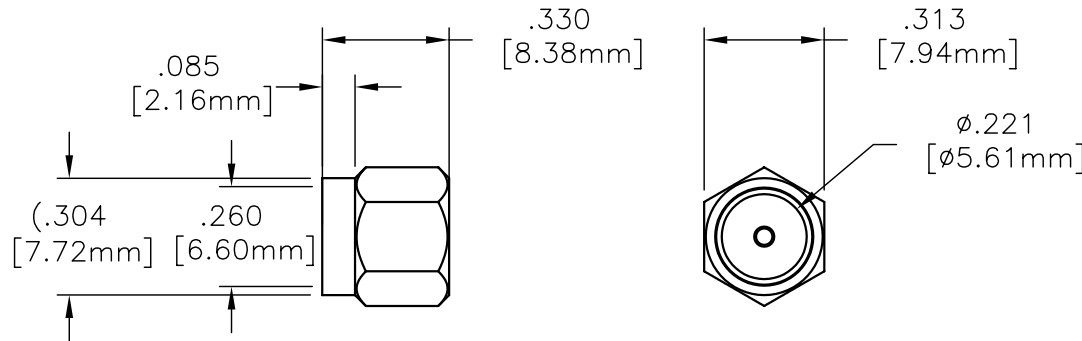
CAD#12-0026

DRAWING NO.:

**12-0026**

REV.

**N/C**



MATERIALS:


BODY & COUPLING NUT: STAINLESS STEEL, PER QQ-S-764  
CONTACT: BERYLLIUM COPPER PER ASTM B196  
RESISTIVE FILM: NICHROME

FINISH:

BODY: GOLD PER MIL-G-45204  
CONTACT: GOLD PER MIL-G-45204  
COUPLING NUT: PASSIVATE PER QQ-P-35B

ELECTRICAL: (TERMINATION)

NOMINAL IMPEDANCE: 50 OHMS  
FREQUENCY RANGE: DC-18 GHz  
VSWR (MAX): 1.30:1  
AVERAGE POWER : 2 WATTS  
DC RESISTANCE: 50.0 ± 5% OHMS  
TEMPERATURE COEFFICIENT: ± 200 PPM MAX  
OPERATING TEMPERATURE: -55° TO +150° (°C)

				EN# 04-F0164	APVD	DATE	REFERENCE	 8851 OLD KANSAS AVE. STUART, FL. 34997 772-286-9300			
				UNLESS OTHERWISE SPECIFIED 1. DO NOT SCALE DRAWING 2. DIMENSIONS ARE IN INCHES 3. DIMENSIONS ARE AFTER PLATING 4. CORNERS, EDGES AND FILLETS: R 5. SURFACE ROUGHNESS: 6. REMOVE ALL BURRS			MATERIAL	TITLE <b>TERMINATION, SMA PLUG, 2 WATT</b>			
							FINISH				
				TOLERANCES .X ± .XX ± .XXX ± ANGLES X° ±			SCALE	CAGE CODE ID NO.	SIZE	DRAWING NO.:	REV.
				THE INFORMATION CONTAINED HEREIN IS: (A) CONSIDERED PROPRIETARY TO FLORIDA RF LABS INC.; (B) PROTECTED BY COPYRIGHT OWNED BY FLORIDA RF LABS INC.; (C) CONSIDERED A "WORK FOR HIRE" UNDER COPYRIGHT LAW; (D) PROTECTED BY TRADE SECRET LAWS WHICH MAKE ILLEGAL THE MISAPPROPRIATION OF THIS INFORMATION; AND (E) IS TO BE USED SOLELY FOR THE PURPOSE WHICH IT IS SUPPLIED. THIS INFORMATION SHALL NOT BE DISCLOSED IN WHOLE OR IN PART, TO ANY PARTY, FOR ANY REASON WITHOUT THE EXPRESS WRITTEN CONSENT OF A QUALIFIED EXECUTIVE OF FLORIDA RF LABS INC.			2/1	2Y194	A	12-0026	N/C
REV.	DESCRIPTION	DRAWN	APVD.				MFG:	CHKD.:	DRAWN: ALM 04/21/04	SHEET	OF