

UNLESS OTHERWISE SPECIFIED TOLERANCES ARE ± 0.005 " (.127mm)

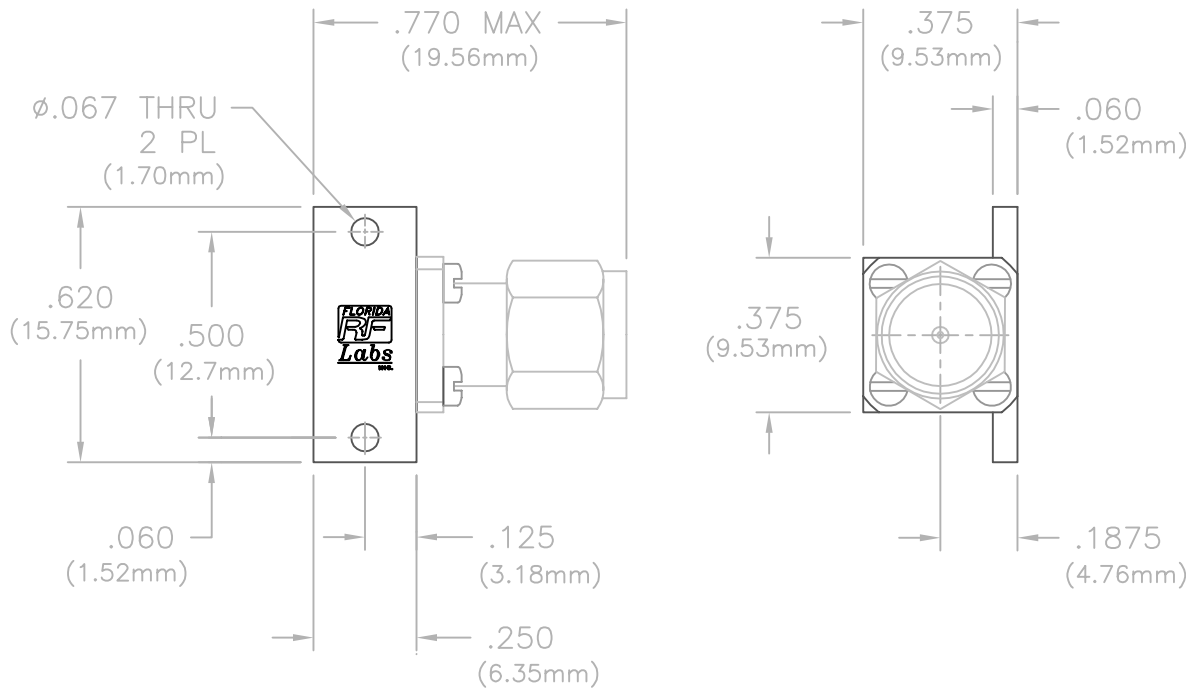
CAD#123001SM_2

DRAWING NO.

12-3001SM

REV.

N/C



MATERIALS:

BASE HOUSING: ALUMINUM
 SUBSTRATE: BERYLLIUM OXIDE
 RESISTIVE FILM: NICHROME
 SCREWS: STAINLESS STEEL
 CONNECTOR:
 BODY & C. NUT: STAINLESS STEEL PER QQ-S-764
 CONTACT: BERYLLIUM COPPER PER QQ-C-530
 COND. H. ALLOY 173
 INSULATOR: TEFLON PER MIL-P-19468

FINISH:

BASE HOUSING: NICKEL PER QQ-N-290A
 CONNECTOR:
 BODY & C. NUT: CORROSION RESISTANT IAW
 MIL-STD-202
 CONTACT: GOLD PER MIL-G-45204B

N/C	RLSE#02360	04/98	
REV.	DESCRIPTION	DATE	APPR.

UNLESS OTHERWISE SPECIFIED

- DIMENSIONS ARE AFTER PLATING
- DIAMETERS ON COMMON ϕ TO BE CONCENTRIC WITHIN _____ T.I.R.
- SURFACE ROUGHNESS R. MAX.
- CORNERS AND EDGES _____ R. MAX.
- REMOVE BURRS AND BREAK SHARP EDGES

TOLERANCES

DECIMAL	FRACTION	ANGLES
.X \pm		
.XX \pm	\pm	\pm
.XXX \pm		

ALL DIMENSIONS ARE IN INCHES

REFERENCE		
CATALOG		
MATERIAL _____		
FINISH _____		
SCALE	CAGE CODE ID NO.	SIZE
2X	2Y194	A
APPR.	CHK	

FLORIDA RF Labs INC.

P.O. BOX 899
 STUART, FL. 34995

TITLE
 TERMINATION, SMA
 PLUG, 15 WATT

DRAWING NO.	REV.
12-3001SM	N/C
DRAWN GEC	SHEET 1 OF 2
04/01/98	

CAD#123001SM_3

DRAWING NO.

12-3001SM

REV.

N/C

REQUIREMENTS	RATING	REQUIREMENTS	RATING
NOMINAL IMPEDANCE (OHMS)	50	INTERFACE DIMENSIONS	MIL-STD-39012 /SMA Series
FREQUENCY RANGE (GHz)	DC - 18.0		
TEMPERATURE COEFFICIENT	LESS THAN 200 PPM	VIBRATION	MIL-STD-202 METHOD 204 COND. D (20 G's)
OPERATING TEMPERATURE (°C)	-55 TO +125		
VSWR (MAXIMUM)	DC-18.0 GHz: 1.20:1	SHOCK	MIL-STD-202 METHOD 213 COND. 1 (100 G's)
AVERAGE POWER (WATTS)	15		
DC RESISTANCE	50 OHMS ±2%	THERMAL SHOCK	MIL-STD-202 METHOD 107 COND. B (-65 TO +125)°C
		BAROMETRIC PRESSURE	MIL-STD-202 METHOD 105 COND. C
<p style="text-align: center;"><u>AVERAGE POWER DERATING</u></p>			

TITLE TERMINATION, SMA
PLUG, 15 WATT



P.O. BOX 899
Stuart, FL. 34995

DRAWN GEC 04/01/98

SHEET 2 OF 2

DRAWING NO.

12-3001SM

REV.

N/C