

1. UNLESS OTHERWISE SPECIFIED TOLERANCES ARE ± 0.010 " (.254mm)

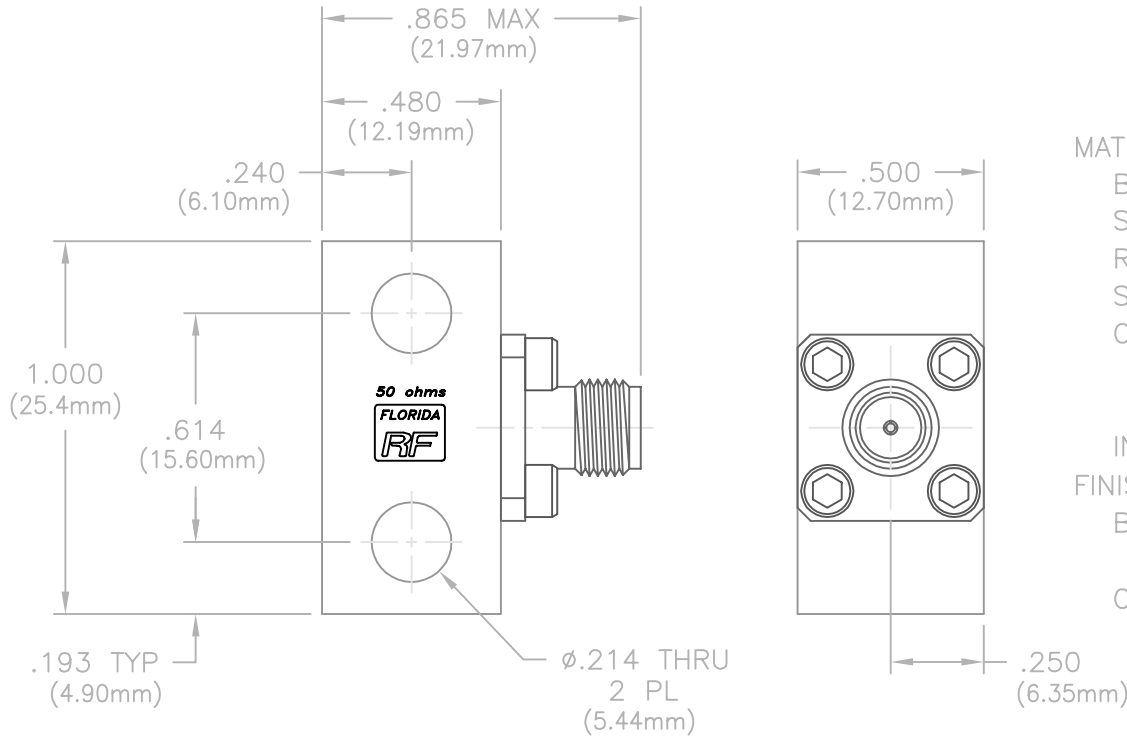
CAD#123002SF_2

DRAWING NO.

12-3002SF

REV.

N/C




MATERIALS:

BASE HOUSING: ALUMINUM
 SUBSTRATE: BERYLLIUM OXIDE
 RESISTIVE FILM: NICHROME
 SCREWS: STAINLESS STEEL
 CONNECTOR:
 BODY: STAINLESS STEEL PER ASTM A582
 CONTACT: BERYLLIUM COPPER PER ASTM B196
 INSULATOR: TEFLON PER ASTM D1710

FINISH:

BASE HOUSING: ELECTROLESS, NICKEL PER MIL-C-26074 (AMS-2404)
 CONNECTOR:
 BODY: CORROSION RESISTANT IAW MIL-STD-202
 CONTACT: GOLD PER MIL-G-45204

				<u>UNLESS OTHERWISE SPECIFIED</u>			REFERENCE		 P.O. BOX 899 STUART, FL. 34995		
				1. DIMENSIONS ARE AFTER PLATING 2. DIAMETERS ON COMMON Q TO BE CONCENTRIC WITHIN _____ T.I.R. 3. SURFACE ROUGHNESS _____ 4. CORNERS AND EDGES _____ R. MAX. 5. REMOVE BURRS AND BREAK SHARP EDGES			CATALOG				
				<u>TOLERANCES</u>			MATERIAL _____		TITLE		
				DECIMAL FRACTION ANGLES .X ± _____ _____ .XX ± _____ ± _____ .XXX ± _____ _____			FINISH _____		TERMINATION, SMA JACK, 15 WATT		
				ALL DIMENSIONS ARE IN INCHES			SCALE	CAGE CODE ID NO.	SIZE	DRAWING NO.	REV.
N/C	RLSE#02420	06/98					2X	2Y194	A	12-3002SF	N/C
REV.	DESCRIPTION	DATE	APPR.				APPR.	CHK	DRAWN GEC 06/18/98	SHEET 1 OF 2	


CAD#123002SF_3

DRAWING NO.

12-3002SF

REV.

N/C

REQUIREMENTS	RATING	REQUIREMENTS	RATING					
NOMINAL IMPEDANCE (OHMS)	50 Ohms	INTERFACE DIMENSIONS	MIL-STD-39012/ SMA SERIES					
FREQUENCY RANGE (GHz)	DC - 18.0							
TEMPERATURE COEFFICIENT	LESS THAN 200 PPM	VIBRATION	MIL-STD-202 METHOD 204 COND. D (20 G'S)					
OPERATING TEMPERATURE (°C)	-55 TO +125							
VSWR (MAXIMUM)	DC - 4.0 = 1.10:1	SHOCK	MIL-STD-202 METHOD 213 COND. 1 (100 G'S)					
	4.0 - 8.0 = 1.15:1							
	8.0 - 12.4 = 1.20:1							
	12.4 - 18.0 = 1.30:1							
AVERAGE POWER (WATTS)	15	THERMAL SHOCK	MIL-STD-202 METHOD 107 COND. B (-65 TO +125 °C)					
DC RESISTANCE	50 Ohms ±2%	BAROMETRIC PRESSURE	MIL-STD-202 METHOD 105 COND. C					
<p style="text-align: center;">AVERAGE POWER DERATING</p>		TORQUE REQUIREMENT	MIL-D-39030/ SMA SERIES 7-10 IN/LBS					
TITLE	TERMINATION, SMA JACK, 15 WATT	 P.O. BOX 899 STUART, FL. 34995	DRAWN	GEC	DRAWING NO.	12-3002SF	REV.	N/C
			SHEET	2 OF 2				