

1. UNLESS OTHERWISE SPECIFIED TOLERANCES ARE ± 0.010 " (.254mm)

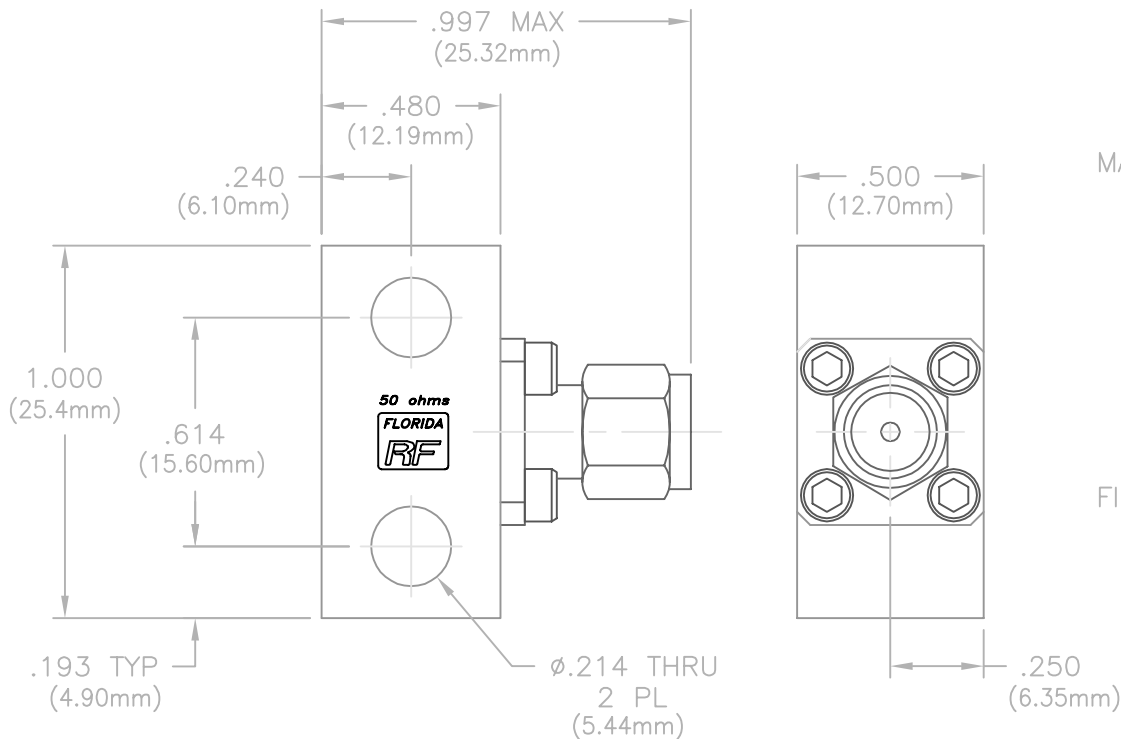
CAD#123002SM_2

DRAWING NO.

12-3002SM

REV.

N/C



MATERIALS:

BASE HOUSING: ALUMINUM
 SUBSTRATE: BERYLLIUM OXIDE
 RESISTIVE FILM: NICHROME
 SCREWS: STAINLESS STEEL
 CONNECTOR:
 BODY & C. NUT: STAINLESS STEEL PER ASTM A582
 CONTACT: BERYLLIUM COPPER PER ASTM B196
 INSULATOR: TEFLON PER ASTM D1710

FINISH:

BASE HOUSING: ELECTROLESS, NICKEL PER MIL-C-26074 (AMS-2404)
 CONNECTOR:
 BODY & C. NUT: CORROSION RESISTANT IAW MIL-STD-202
 CONTACT: GOLD PER MIL-G-45204

UNLESS OTHERWISE SPECIFIED

1. DIMENSIONS ARE AFTER PLATING
2. DIAMETERS ON COMMON Q TO BE CONCENTRIC WITHIN $\frac{1}{4}$ T.I.R.
3. SURFACE ROUGHNESS \checkmark
4. CORNERS AND EDGES R. MAX.
5. REMOVE BURRS AND BREAK SHARP EDGES

| TOLERANCES | | |
|------------|----------|--------|
| DECIMAL | FRACTION | ANGLES |
| .X \pm | | |
| .XX \pm | \pm | \pm |
| .XXX \pm | | |

ALL DIMENSIONS ARE IN INCHES

REFERENCE

CATALOG

MATERIAL

FINISH

SCALE

2X

APPR.

CAGE CODE ID NO.

2Y194

CHK

SIZE

A



P.O. BOX 899
 STUART, FL. 34995

TITLE

TERMINATION, SMA
 PLUG, 15 WATT

DRAWING NO.

12-3002SM

DRAWN GEC
 06/18/98

REV.

N/C

SHEET 1 OF 2

| REV. | DESCRIPTION | DATE | APPR. |
|------|-------------|-------|-------|
| N/C | RLSE#02420 | 06/98 | |


CAD#123002SM_3

DRAWING NO.

12-3002SM

REV.

N/C

| REQUIREMENTS | RATING | REQUIREMENTS | RATING | | |
|--|-----------------------------------|---|---|--------------------------|-------------|
| NOMINAL IMPEDANCE (OHMS) | 50 Ohms | INTERFACE DIMENSIONS | MIL-STD-39012/ SMA SERIES | | |
| FREQUENCY RANGE (GHz) | DC - 18.0 | | | | |
| TEMPERATURE COEFFICIENT | LESS THAN 200 PPM | VIBRATION | MIL-STD-202 METHOD 204 COND. D (20 G'S) | | |
| OPERATING TEMPERATURE (°C) | -55 TO +125 | | | | |
| VSWR (MAXIMUM) | DC - 4.0 = 1.10:1 | SHOCK | MIL-STD-202 METHOD 213 COND. 1 (100 G'S) | | |
| | 4.0 - 8.0 = 1.15:1 | | | | |
| | 8.0 - 12.4 = 1.20:1 | THERMAL SHOCK | MIL-STD-202 METHOD 107 COND. B (-65 TO +125 °C) | | |
| | 12.4 - 18.0 = 1.30:1 | | | | |
| AVERAGE POWER (WATTS) | 15 | BAROMETRIC PRESSURE | MIL-STD-202 METHOD 105 COND. C | | |
| DC RESISTANCE | 50 Ohms ±2% | TORQUE REQUIREMENT | MIL-D-39030/ SMA SERIES 7-10 IN/LBS | | |
| <p style="text-align: center;"><u>AVERAGE POWER DERATING</u></p> | | | | | |
| | | | | | |
| | | | | | |
| TITLE | TERMINATION, SMA PLUG, 15 WATT |  P.O. BOX 899 STUART, FL. 34995 | DRAWN GEC SHEET 2 OF 2 | DRAWING NO. 12-3002SM | REV. N/C |