

UNLESS OTHERWISE SPECIFIED TOLERANCES ARE $\pm 0.005"$ (.127mm)

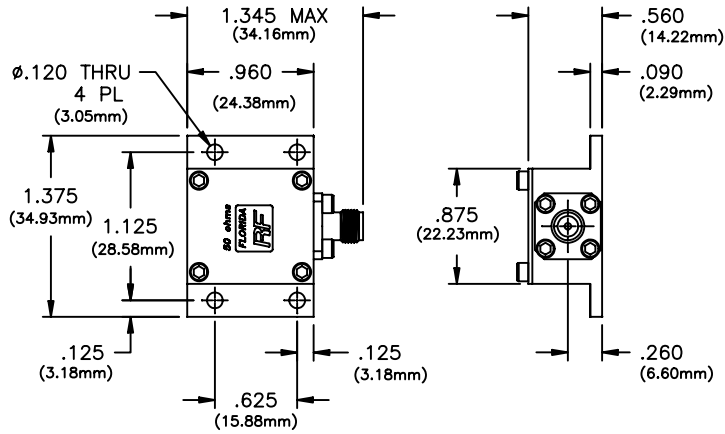
CAD#123005SFA2

DRAWING NO.

12-3005SF

REV.

A



MATERIALS:

BASE HOUSING: ALUMINUM
 SUBSTRATE: BERYLLIUM OXIDE
 RESISTIVE FILM: NICHROME
 SCREWS: STAINLESS STEEL
 CONNECTOR:
 BODY: STAINLESS STEEL PER QQ-S-764
 CLASS 303 OR ASTM-A-582-80
 CONTACT: BERYLLIUM COPPER PER QQ-C-530
 COND. H, ALLOY 173
 INSULATOR: TEFLON PER L-P-403 OR
 ASTM-D-1710

FINISH:

BASE HOUSING: NICKEL PER MIL-C-26074E
 CONNECTOR:
 BODY: CORROSION RESISTANT IAW MIL-STD-202
 CONTACT: GOLD PER MIL-G-45204B

			<p>UNLESS OTHERWISE SPECIFIED</p> <ol style="list-style-type: none"> 1. DIMENSIONS ARE AFTER PLATING 2. DIAMETERS ON COMMON Q TO BE CONCENTRIC WITHIN T.I.R. 3. SURFACE ROUGHNESS ✓ 4. CORNERS AND EDGES R. MAX. 5. REMOVE BURRS AND BREAK SHARP EDGES 			<p>REFERENCE</p> <p>CATALOG</p>			<p>FLORIDA RF Labs INC.</p> <p>P.O. BOX 899 STUART, FL. 34995</p>														
			<p>TOLERANCES</p> <table border="1"> <tr> <th>DECIMAL</th> <th>FRACTION</th> <th>ANGLES</th> </tr> <tr> <td>.X ±</td> <td></td> <td></td> </tr> <tr> <td>.XX ±</td> <td>±</td> <td>±</td> </tr> <tr> <td>.XXX ±</td> <td>±</td> <td>±</td> </tr> </table> <p>ALL DIMENSIONS ARE IN INCHES</p>			DECIMAL	FRACTION	ANGLES	.X ±			.XX ±	±	±	.XXX ±	±	±	<p>MATERIAL</p> <p>FINISH</p>			<p>TITLE</p> <p>TERMINATION, SMA JACK, 50 WATT</p>		
DECIMAL	FRACTION	ANGLES																					
.X ±																							
.XX ±	±	±																					
.XXX ±	±	±																					
A	DCN#0708	03/98	SCALE	CAGE CODE ID NO.	SIZE	DRAWING NO.	REV.																
N/C	RLSE#02126	4/97	1X	2Y194	A	12-3005SF	A																
REV.	DESCRIPTION	DATE	APPR.	CHK	DATE	DRAWN	DATE	SHEET	OF														
				R	05/06/97	GEC	04/03/97	1	2														


CAD#123005SFA3

DRAWING NO.

12-3005SF

REV.

A

REQUIREMENTS	RATING	REQUIREMENTS	RATING		
NOMINAL IMPEDANCE (OHMS)	50	INTERFACE DIMENSIONS	MIL-STD-39012 /SMA Series		
FREQUENCY RANGE (GHz)	DC - 6.0				
TEMPERATURE COEFFICIENT	LESS THAN 200 PPM	VIBRATION	MIL-STD-202 METHOD 204 COND. D (20 G's)		
OPERATING TEMPERATURE (°C)	-55 TO +125				
VSWR (MAXIMUM)	DC - 3.0 GHz: 1.25:1 3.0 - 6.0 GHz: 1.35:1	SHOCK	MIL-STD-202 METHOD 213 COND. 1 (100 G's)		
AVERAGE POWER (WATTS)	50				
DC RESISTANCE	50 OHMS ± 5%	THERMAL SHOCK	MIL-STD-202 METHOD 107 COND. B (-65 TO +125)°C		
		BAROMETRIC PRESSURE	MIL-STD-202 METHOD 105 COND. C		
<p style="text-align: center;"><u>AVERAGE POWER DERATING</u></p>					
TITLE	TERMINATION, SMA JACK, 50 WATT	 P.O. BOX 899 Stuart, FL. 34995	DRAWN GEC 4/7/97 SHEET 2 OF 2	DRAWING NO. 12-3005SF	REV. A