

UNLESS OTHERWISE SPECIFIED TOLERANCES ARE $\pm 0.005"$ (.127mm)

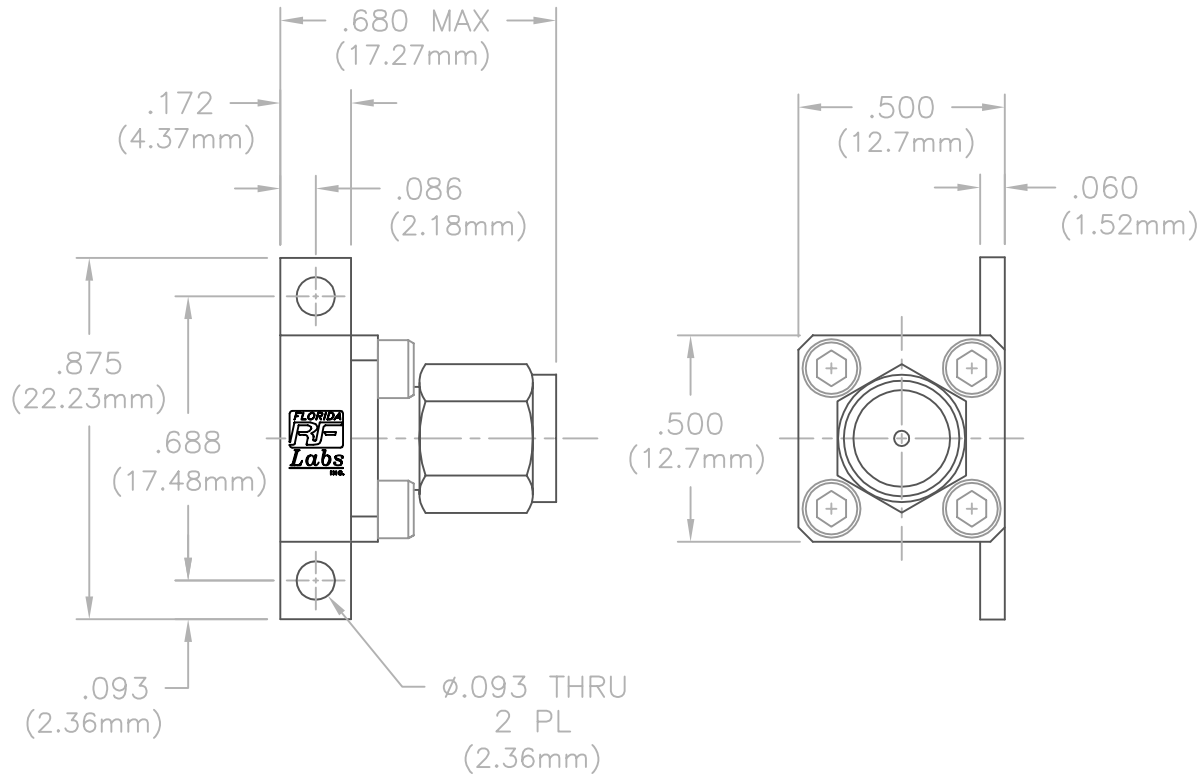
CAD#123022SMB2

DRAWING NO.

12-3022SM

REV.

B



MATERIALS:

- BASE HOUSING: ALUMINUM
- SUBSTRATE: BERYLLIUM OXIDE
- RESISTIVE FILM: NICHROME
- SCREWS: STAINLESS STEEL
- CONNECTOR:
 - BODY & C NUT: STAINLESS STEEL PER QQ-S-764
 - CONTACT: BERYLLIUM COPPER PER QQ-C-530, COND.H, ALLOY 173
 - INSULATOR: TEFLON PER MIL-P-19468
 - GASKET: SILICONE RUBBER PER ZZ-R-765

FINISH:

- BASE HOUSING: NICKEL PER QQ-N-290A
- CONNECTOR:
 - BODY & C NUT: CORROSION RESISTANT IAW MIL-STD-202
 - CONTACT: GOLD PER MIL-G-45204B

REV.	DESCRIPTION	DATE	APPR.
B	DCN#0708	03/98	
A	DCN#0528	4/97	MTG
N/C	RLSE#02126	4/97	MTG

UNLESS OTHERWISE SPECIFIED


- DIMENSIONS ARE AFTER PLATING
- DIAMETERS ON COMMON Q TO BE CONCENTRIC WITHIN _____ T.I.R.
- SURFACE ROUGHNESS R. MAX.
- CORNERS AND EDGES _____ R. MAX.
- REMOVE BURRS AND BREAK SHARP EDGES

TOLERANCES

DECIMAL	FRACTION	ANGLES
.X \pm		
.XX \pm	\pm	\pm
.XXX \pm		

ALL DIMENSIONS ARE IN INCHES

REFERENCE		
CATALOG		
MATERIAL _____		
FINISH _____		
SCALE	CAGE CODE ID NO.	SIZE
2X	2Y194	A
APPR.	CHK	
MTG	PSC	4/10/97


 P.O. BOX 899
 STUART, FL. 34995

TITLE

TERMINATION, SMA
 PLUG, 25 WATT

DRAWING NO.	REV.
12-3022SM	B
DRAWN GEC	SHEET 1 OF 2
04/01/97	

CAD#123022SMB3

DRAWING NO.
12-3022SM

REV.
B

REQUIREMENTS	RATING	REQUIREMENTS	RATING
NOMINAL IMPEDANCE (OHMS)	50	INTERFACE DIMENSIONS	MIL-STD-39012 /SMA Series
FREQUENCY RANGE (GHz)	DC - 18.0		
TEMPERATURE COEFFICIENT	LESS THAN 200 PPM	VIBRATION	MIL-STD-202 METHOD 204 COND. D (20 G's)
OPERATING TEMPERATURE (°C)	-55 TO +125		
VSWR (MAXIMUM)	DC - 18.0 GHz: 1.25:1	SHOCK	MIL-STD-202 METHOD 213 COND. 1 (100 G's)
AVERAGE POWER (WATTS)	25		
DC RESISTANCE	50 OHMS ±5%	THERMAL SHOCK	MIL-STD-202 METHOD 107 COND. B (-65 TO +125)°C
		BAROMETRIC PRESSURE	MIL-STD-202 METHOD 105 COND. C
<p>AVERAGE POWER DERATING</p>			

TITLE TERMINATION, SMA
PLUG, 25 WATT



P.O. BOX 899
Stuart, FL. 34995

DRAWN GEC 4/4/97

SHEET 2 OF 2

DRAWING NO.
12-3022SM

REV.
B