

EDD

NOTES:
UNLESS OTHERWISE SPECIFIED, TOLERANCES ARE $\pm .010"$ [254mm].

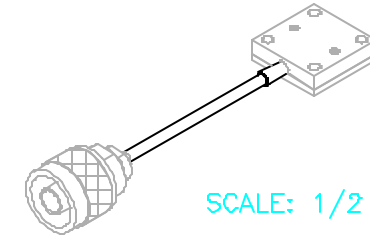
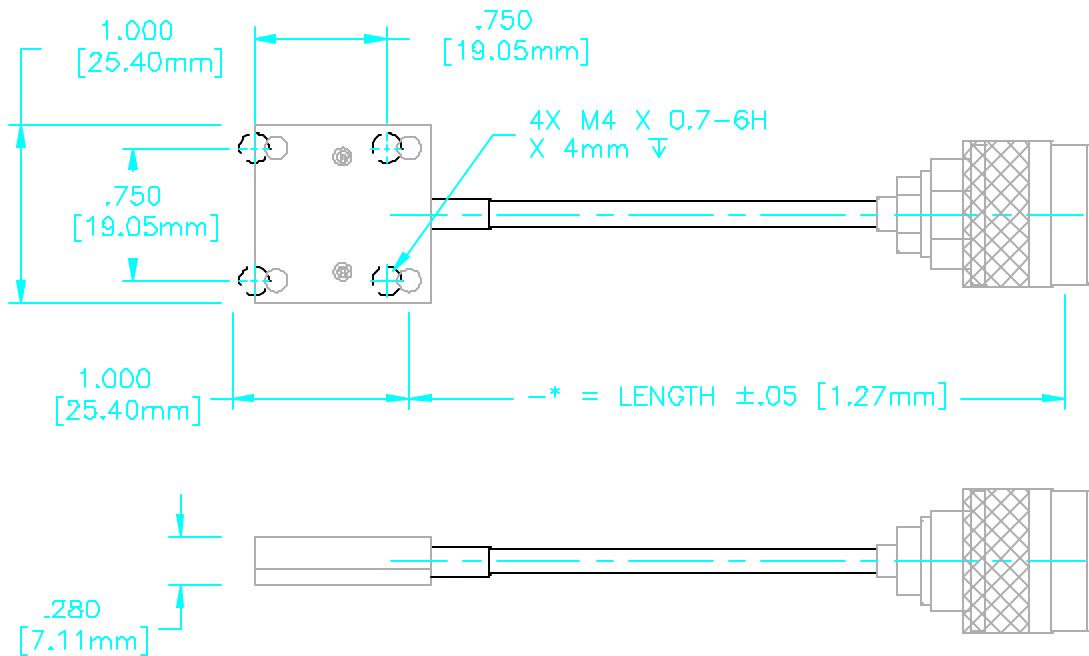
CAD#12-5061

DRAWING NO.:

12-5061-*

REV.

N/C



SCALE: 1/2

MATERIALS:


HOUSING: COPPER PER ASTM B301
COVER: ALUMINUM PER ASTM B221
SUBSTRATE: BERYLLIUM OXIDE
RESISTIVE FILM: NICHROME

FINISH:

HOUSING: TRI-METAL
COVER: YELLOW IRRIDITE PER MIL-C-5541

TECHNICAL:

NOMINAL IMPEDANCE (OHMS): 50
FREQUENCY RANGE (GHz): 2.4-2.5
TEMPERATURE COEFFICIENT: < 200 PPM
OPERATING TEMPERATURE (°C): -55° TO +150°
VSWR (MAX): 1.20:1
AVERAGE POWER (WATTS): 500
DC RESISTANCE: 50.0 OHMS \pm 5%

| | | | | | | | | | | | | | | | | |
|------|-------------|-------|------|---|---------|---------------|-----------|-----|--|--------|------|----------|--------------|-----------|------|-----|
| | | | | ECN# 01183 | APVD OA | DATE 12/17/01 | REFERENCE | |  8851 OLD KANSAS AVE. STUART, FL 34997 561-286-9300 | | | | | | | |
| | | | | UNLESS OTHERWISE SPECIFIED 1. DO NOT SCALE DRAWING 2. DIMENSIONS ARE IN INCHES 3. DIMENSIONS ARE AFTER PLATING 4. CORNERS, EDGES AND FILLETS: R MAX 5. SURFACE ROUGHNESS 6. REMOVE ALL BURRS | | | MATERIAL | - | | TITLE | | | | | | |
| | | | | TOLERANCES .X \pm .XX \pm .XXX \pm ANGLES X° \pm | | | FINISH | - | TERMINATION, COAXIAL REMOTE, 500 WATT | | | | | | | |
| | | | | THE INFORMATION CONTAINED HEREIN IS: (A) CONSIDERED PROPRIETARY TO FLORIDA RF LABS INC.; (B) PROTECTED BY COPYRIGHT OWNED BY FLORIDA RF LABS INC.; (C) CONSIDERED A "WORK FOR HIRE" UNDER COPYRIGHT LAW; (D) PROTECTED BY TRADE SECRET LAWS WHICH MAKE ILLEGAL THE MISAPPROPRIATION OF THIS INFORMATION; AND (E) IS TO BE USED SOLELY FOR THE PURPOSE WHICH IT IS SUPPLIED. THIS INFORMATION SHALL NOT BE DISCLOSED IN WHOLE OR IN PART TO ANY PARTY, FOR ANY REASON WITHOUT THE EXPRESS WRITTEN CONSENT OF A QUALIFIED EXECUTIVE OF FLORIDA RF LABS INC. | | | SCALE | 1/1 | CAGE CODE ID NO. | 2Y194 | SIZE | A | DRAWING NO.: | 12-5061-* | REV. | N/C |
| REV. | DESCRIPTION | DRAWN | APVD | MFG: | MJK | 01/03/02 | CHKD.: | DR | 01/12/02 | DRAWN: | BLF | 12/17/01 | SHEET | OF | | |