

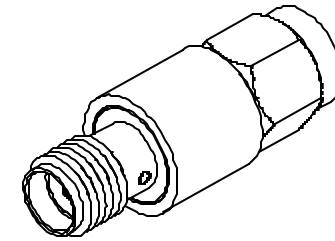
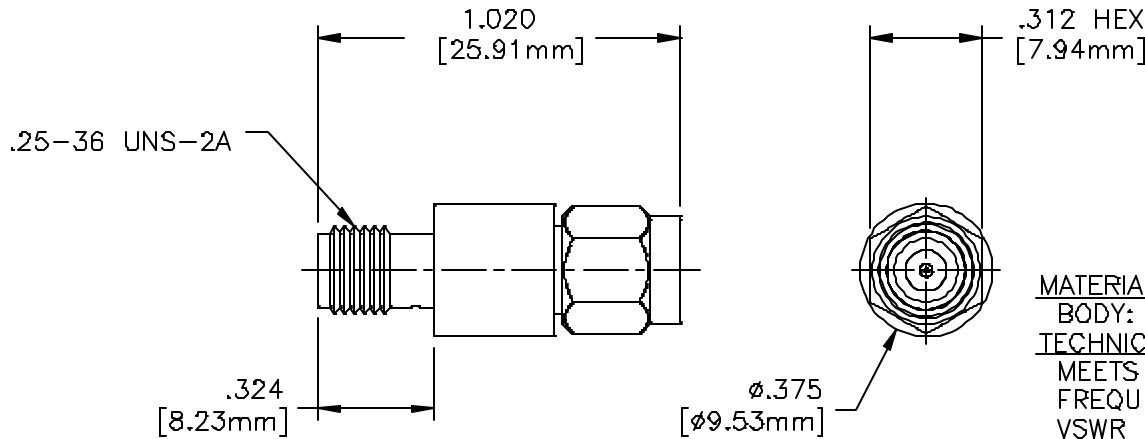
EDD

NOTES:  
1. UNLESS OTHERWISE SPECIFIED, TOLERANCES ARE  $\pm .010"$  [.254mm].

CAD#13-0003A


DRAWING NO.:  
**13-0003**

REV.  
**A**



**MATERIAL:**  
BODY: STAINLESS STEEL PER ASTM A582

**TECHNICAL:**  
MEETS REQ OF MIL-A-3933 & MIL-C-39012  
FREQUENCY: DC-2.7 GHz  
VSWR (MAX): 1.15:1  
ATTENUATION: 1-10 dB  $\pm$  0.3 dB  
11-20 dB  $\pm$  0.5 dB  
OPERATING TEMPERATURE (°C): -55° TO +125°  
MAX INPUT POWER: 2 WATT AVERAGE  
AT +25°C DERATED LINEARLY  
TO 0.5 WATTS AT +125°C  
ATTENUATION STABILITY: 0.0001 dB/dB/°C

				ECN# 01017	APVD FAB	DATE 09/26/01	REFERENCE	 8851 OLD KANSAS AVE. STUART, FL 34997 561-286-9300			
				UNLESS OTHERWISE SPECIFIED 1. DO NOT SCALE DRAWING 2. DIMENSIONS ARE IN INCHES 3. DIMENSIONS ARE AFTER PLATING 4. CORNERS, EDGES AND FILLETS: R MAX 5. SURFACE ROUGHNESS 6. REMOVE ALL BURRS			MATERIAL	TITLE <b>ATTENUATOR, SMA COAXIAL, 2 WATT</b>			
				TOLERANCES .X $\pm$ .XX $\pm$ .XXX $\pm$ ANGLES X° $\pm$			FINISH				
				THE INFORMATION CONTAINED HEREIN IS: (A) CONSIDERED PROPRIETARY TO FLORIDA RF LABS INC.; (B) PROTECTED BY COPYRIGHT OWNED BY FLORIDA RF LABS INC.; (C) CONSIDERED A "WORK FOR HIRE" UNDER COPYRIGHT LAW; (D) PROTECTED BY TRADE SECRET LAWS WHICH MAKE ILLEGAL THE MISAPPROPRIATION OF THIS INFORMATION; AND (E) IS TO BE USED SOLELY FOR THE PURPOSE WHICH IT IS SUPPLIED. THIS INFORMATION SHALL NOT BE DISCLOSED IN WHOLE OR IN PART TO ANY PARTY, FOR ANY REASON WITHOUT THE EXPRESS WRITTEN CONSENT OF A QUALIFIED EXECUTIVE OF FLORIDA RF LABS INC.			SCALE <b>2/1</b>	CAGE CODE ID NO. <b>2Y194</b>	SIZE <b>A</b>	DRAWING NO.: <b>13-0003</b>	REV. <b>A</b>
REV.	DESCRIPTION	DRAWN	APVD.	MFG: MJK 10/01/01	CHKD: NAK 09/26/01	DRAWN: BLP 09/26/01	SHEET	OF			