

UNLESS OTHERWISE SPECIFIED TOLERANCES ARE $\pm .010$ "

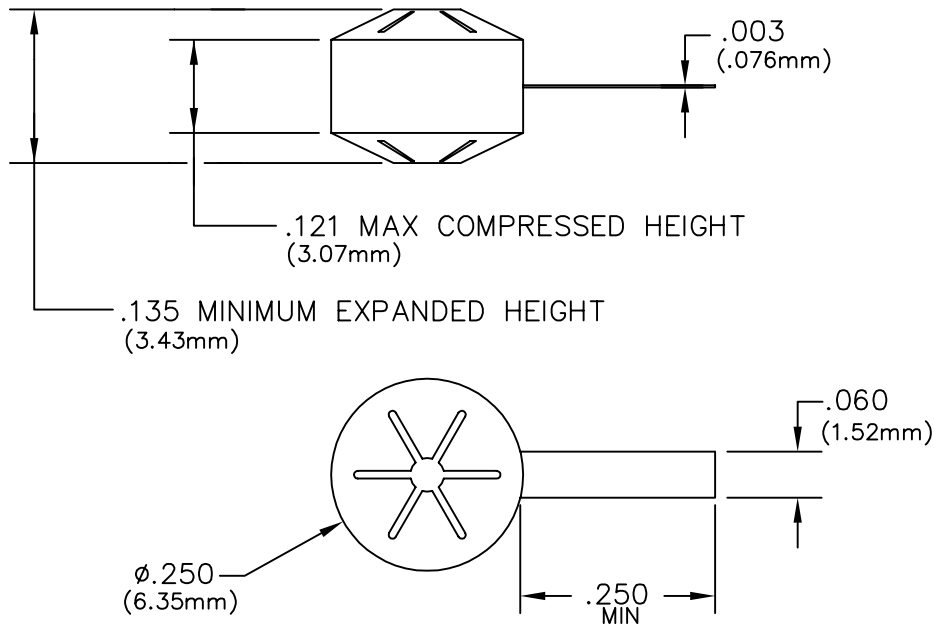
CAD#220001_2

DRAWING NO.

22-0001

REV.

N/C



MATERIALS:


BODY: BRASS PER QQ-B-626

CONTACT: BERYLLIUM COPPER PER QQ-C-533

FINISH:

BODY: GOLD PER MIL-G-45204

CONTACT: GOLD PER MIL-G-45204

				<p align="center"><u>UNLESS OTHERWISE SPECIFIED</u></p> <p>1. DIMENSIONS ARE AFTER PLATING</p> <p>2. DIAMETERS ON COMMON Q_L TO BE CONCENTRIC WITHIN _____ T.I.R.</p> <p>3. SURFACE ROUGHNESS <input checked="" type="checkbox"/> R. MAX.</p> <p>4. CORNERS AND EDGES _____ R. MAX.</p> <p align="center"><u>TOLERANCES</u></p> <table border="0"> <tr> <td>DECIMAL</td> <td>FRACTION</td> <td>ANGLES</td> </tr> <tr> <td>.X ±</td> <td></td> <td></td> </tr> <tr> <td>.XX ±</td> <td>±</td> <td>± _____</td> </tr> <tr> <td>.XXX ±</td> <td></td> <td></td> </tr> </table> <p align="center">ALL DIMENSIONS ARE IN INCHES</p>	DECIMAL	FRACTION	ANGLES	.X ±			.XX ±	±	± _____	.XXX ±			REFERENCE	 <p>P.O. BOX 2207 PALM CITY, FL. 34990</p>
DECIMAL	FRACTION	ANGLES																
.X ±																		
.XX ±	±	± _____																
.XXX ±																		
			MATERIAL	TITLE														
				FINISH	TERMINATION, STRIPLINE 1 WATT, RESILIENT													
				SCALE	CAGE CODE ID NO.	SIZE	DRAWING NO.	REV.										
				4X	2Y194	A	22-0001	N/C										
REV.	DESCRIPTION	DATE	APPR.	APPR.	CHK	DRAWN	SHEET 1 OF 2											
						PSC 01/16/96												

CAD#220001_3

DRAWING NO.

22-0001

REV.

N/C

REQUIREMENTS

RATING

REQUIREMENTS

RATING

NOMINAL IMPEDANCE

50 OHMS

VIBRATION

MIL-STD-202
METHOD 204
COND. D (20 G's)

FREQUENCY RANGE

DC- 18.0 GHz

TEMPERATURE COEFFICIENT

LESS THAN 200 PPM

SHOCK

MIL-STD-202
METHOD 213
COND. 1 (100 G's)

TEMPERATURE RATING (°C)

-55 TO +125

VSWR

1.50 MAX

TEMPERATURE CYCLING

MIL-STD-202

AVERAGE POWER (WATTS)

1

DC RESISTANCE

50 OHMS ± 5%

MOISTURE RESISTANCE

MIL-STD-202
METHOD 106
LESS STEP 7B

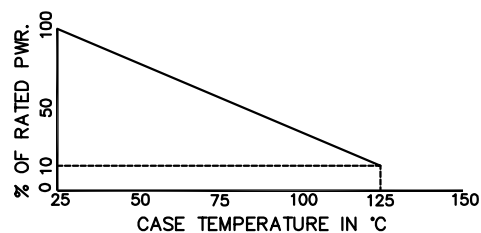
SOLDERABILITY

MIL-STD-202
METHOD 208

RESISTANCE TO SOLDER HEAT

MIL-STD-202
METHOD 210
COND. A

AVERAGE POWER DERATING



TITLE TERMINATION, STRIPLINE
1 WATT, RESILIENT

FLORIDA RF LABS, INC
PALM CITY, FL 34990

DRAWN

PSC 01/16/96

DRAWING NO.

22-0001

REV.

N/C

SHEET

2 OF 2