

EDD

NOTES:  
1. UNLESS OTHERWISE SPECIFIED, TOLERANCES ARE  $\pm .010$ " [.254mm].

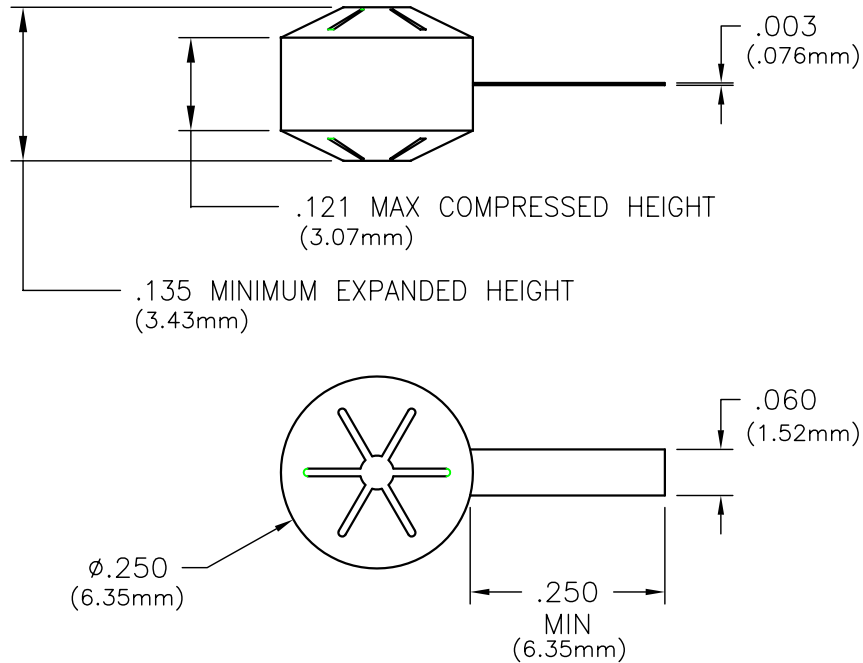
CAD#22-0009D

DRAWING NO.:

22-0009

REV.

D



MATERIALS:


BODY: BRASS  
TAB: BERYLLIUM COPPER

FINISH:

BODY: GOLD PER MIL-G-45204  
TAB: TIN PER MIL-T-10727

TECHNICAL: (TERMINATION)

NOMINAL IMPEDANCE (OHMS): 50  
FREQUENCY RANGE (GHz): DC-18.0  
TEMPERATURE COEFFICIENT:  $\pm 200$  PPM MAX  
OPERATING TEMPERATURE ( $^{\circ}$ C):  $-55^{\circ}$  TO  $+125^{\circ}$   
VSWR (MAX): 1.50  
AVERAGE POWER (WATTS): 3  
DC RESISTANCE: 50 OHMS  $\pm 5\%$

|   |           |                 |   |  |             |               |           |   |  |                 |        |                 |       |
|---|-----------|-----------------|---|--|-------------|---------------|-----------|---|--|-----------------|--------|-----------------|-------|
|   |           |                 |   | RLSE# 02411  | APVD<br>MTG | DATE<br>06/98 | REFERENCE |  8851 OLD KANSAS AVE.<br>STUART, FL. 34997<br>772-286-9300 |  |                 |        |                 |       |
|   |           |                 |   | UNLESS OTHERWISE SPECIFIED<br>1. DO NOT SCALE DRAWING<br>2. DIMENSIONS ARE IN INCHES<br>3. DIMENSIONS ARE AFTER PLATING<br>4. CORNERS, EDGES AND FILLETS: R<br>5. SURFACE ROUGHNESS:<br>6. REMOVE ALL BURRS  |             |               |           | MATERIAL  | TITLE  |                 |        |                 |       |
|   |           |                 |   | TOLERANCES<br>.X $\pm$<br>.XX $\pm$<br>.XXX $\pm$<br>ANGLES X $^{\circ}$ $\pm$   |             |               |           | FINISH  | TERMINATION,<br>PILL 1 WATT<br>RESILIENT, .125 G.P |                 |        |                 |       |
| D | ECN#01730 | ALM<br>11/06/02 |   | THE INFORMATION CONTAINED HEREIN IS: (A) CONSIDERED PROPRIETARY TO FLORIDA RF LABS INC.; (B) PROTECTED BY COPYRIGHT OWNED BY FLORIDA RF LABS INC.; (C) CONSIDERED A "WORK FOR HIRE" UNDER COPYRIGHT LAW; (D) PROTECTED BY TRADE SECRET LAWS WHICH MAKE ILLEGAL THE MISAPPROPRIATION OF THIS INFORMATION; AND (E) IS TO BE USED SOLELY FOR THE PURPOSE WHICH IT IS SUPPLIED. THIS INFORMATION SHALL NOT BE DISCLOSED IN WHOLE OR IN PART, TO ANY PARTY, FOR ANY REASON WITHOUT THE EXPRESS WRITTEN CONSENT OF A QUALIFIED EXECUTIVE OF FLORIDA RF LABS INC. |             |               | SCALE     | CAGE CODE ID NO.  | SIZE   | DRAWING NO.:    | REV.   |                 |       |
| C | ECN# N/A  | -               | - |  |             |               | 4/1       | 2Y194   | A  | 22-0009         | D      |                 |       |
| B | ECN# N/A  | -               | - |  |             |               | MFG:      | MJK<br>06/23/98   | CHKD.:   | NAK<br>06/11/98 | DRAWN: | GEC<br>06/09/98 | SHEET |
| A | ECN# N/A  | -               | - |  |             |               |           |   |  |                 | OF     |                 |       |