

EDD

NOTES:
 UNLESS OTHERWISE SPECIFIED, TOLERANCES ARE $\pm .010$ " [.254mm].
 MARKING: (COLOR CODE) SMALL RED DOT LOCATED ON TOP
 OR SIDE OF UNIT APPROX. WHERE SHOWN

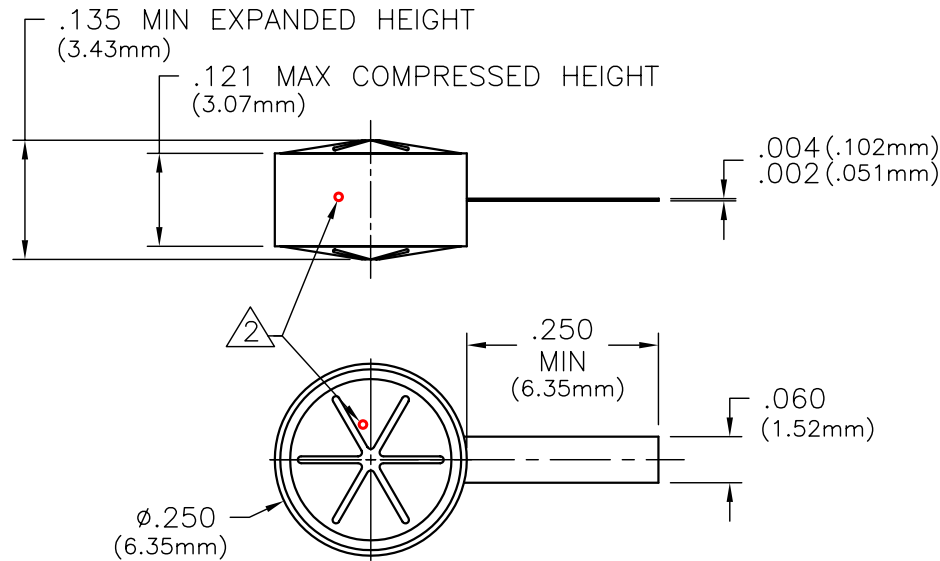
CAD#22-0012

DRAWING NO.:

22-0012

REV.

C



MATERIALS:


BODY: BRASS
 TAB: BERYLLIUM COPPER

FINISH:

BODY: GOLD PER MIL-G-45204
 TAB: TIN PER MIL-T-10727

TECHNICAL: (TERMINATION)

NOMINAL IMPEDANCE (OHMS): 50
 FREQUENCY RANGE (GHz): DC-18.0
 TEMPERATURE COEFFICIENT: ± 200 PPM MAX
 OPERATING TEMPERATURE ($^{\circ}$ C): -55° TO $+150^{\circ}$
 VSWR (MAX): 1.50
 AVERAGE POWER (WATTS): 3
 DC RESISTANCE: 50 OHMS $\pm 5\%$

				ECN# 02247	APVD MJK	DATE 09/97	REFERENCE	 8851 OLD KANSAS AVE. STUART, FL. 34997 772-286-9300			
				UNLESS OTHERWISE SPECIFIED 1. DO NOT SCALE DRAWING 2. DIMENSIONS ARE IN INCHES 3. DIMENSIONS ARE AFTER PLATING 4. CORNERS, EDGES AND FILLETS: R MAX 5. SURFACE ROUGHNESS: 6. REMOVE ALL BURRS			MATERIAL		TITLE		
				TOLERANCES .X \pm .XX \pm .XXX \pm ANGLES X' \pm			FINISH	TERMINATION, PILL LOAD 3 WATT RESILIENT			
C	ECN#01730	ALM 11/06/02		THE INFORMATION CONTAINED HEREIN IS: (A) CONSIDERED PROPRIETARY TO FLORIDA RF LABS INC.; (B) PROTECTED BY COPYRIGHT OWNED BY FLORIDA RF LABS INC.; (C) CONSIDERED A "WORK FOR HIRE" UNDER COPYRIGHT LAW; (D) PROTECTED BY TRADE SECRET LAWS WHICH MAKE ILLEGAL THE MISAPPROPRIATION OF THIS INFORMATION; AND (E) IS TO BE USED SOLELY FOR THE PURPOSE WHICH IT IS SUPPLIED. THIS INFORMATION SHALL NOT BE DISCLOSED IN WHOLE OR IN PART, TO ANY PARTY, FOR ANY REASON WITHOUT THE EXPRESS WRITTEN CONSENT OF A QUALIFIED EXECUTIVE OF FLORIDA RF LABS INC.			SCALE	CAGE CODE ID NO.	SIZE	DRAWING NO.:	REV.
B	ECN# N/A	-	-				4/1	2Y194	A	22-0012	C
A	ECN# N/A	-	-				MFG:	MJK 09/30/97	CHKD.:	NAK 09/30/97	DRAWN: