

EDD

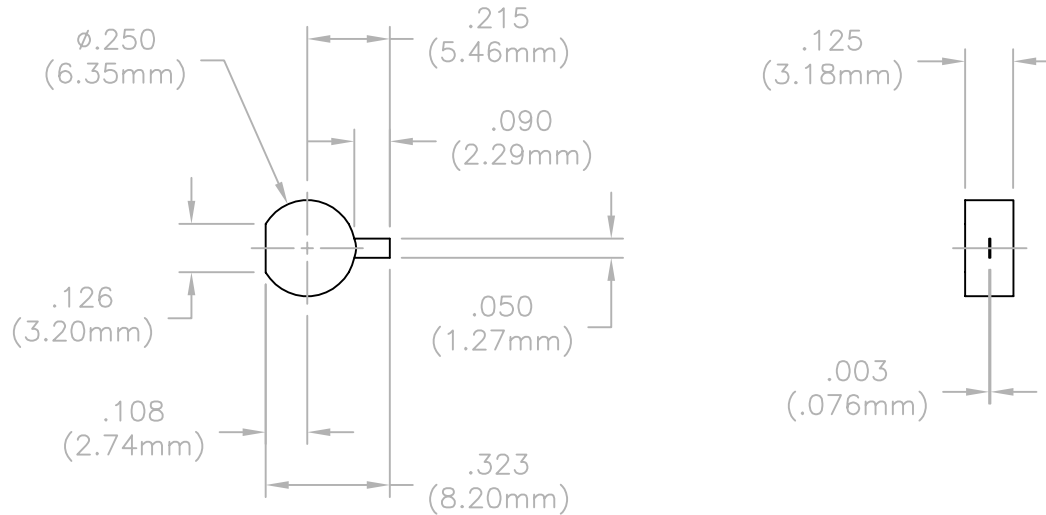
ORIGINAL

CAD#22-0014A2

DRAWING NO.:
22-0014

REV.
A

- NOTES:
- UNLESS OTHERWISE SPECIFIED, TOLERANCES ARE $\pm .010"$ (.254mm).
 - RESISTANCE: 50.0 OHMS \pm 5%
FREQUENCY: DC-2.0 GHz
VSWR (MAX): 1.065:1 (-30.0 dB RETURN LOSS)
AVERAGE POWER: 1.0 WATT
 - CAPABLE OF WITHSTANDING: (NON OPERATING)
200°C FOR 0.5 HOUR
260°C FOR 5.0 MINUTE




MATERIALS:

BODY: BRASS PER ASTM B16
CONTACT: BeCu PER ASTM B194

FINISH:

BODY: GOLD PER MIL-G-45204
CONTACT: GOLD PER MIL-G-45204

				ECN#: 00170	APVD MTG	DATE 03/02/00	REFERENCE	 P.O. BOX 899 STUART, FL. 34995			
				UNLESS OTHERWISE SPECIFIED 1. DO NOT SCALE DRAWING 2. DIMENSIONS ARE IN INCHES 3. DIMENSIONS ARE AFTER PLATING 4. CORNERS, EDGES AND FILLETS: R MAX 5. SURFACE ROUGHNESS: 6. REMOVE ALL BURRS			MATERIAL	TITLE TERMINATION, PILL, 1 WATT			
							TOLERANCES .X \pm .XX \pm .XXX \pm				FINISH
				THE INFORMATION CONTAINED HEREIN IS PROPRIETARY TO FLORIDA RF LABS, INC. AND IS TO BE USED SOLELY FOR THE PURPOSE WHICH IT IS SUPPLIED. IT SHALL NOT BE DISCLOSED IN WHOLE OR IN PART, TO ANY OTHER PARTY, WITHOUT THE EXPRESS PERMISSION IN WRITING BY FLORIDA RF LABS, INC.			SCALE	CAGE CODE ID NO.	SIZE	DRAWING NO.:	REV.
A	ECN#00217	BLP 03/16/00					2/1	2Y194	A	22-0014	A
REV.	DESCRIPTION	DRAWN	APVD.	APVD.:	MJK 03/01/00	CHKD.:	NAK 02/25/00	DRAWN:	BLP 02/15/00	SHEET	OF