

EDD

NOTES:
UNLESS OTHERWISE SPECIFIED, TOLERANCES ARE $\pm .010"$ [.254mm].

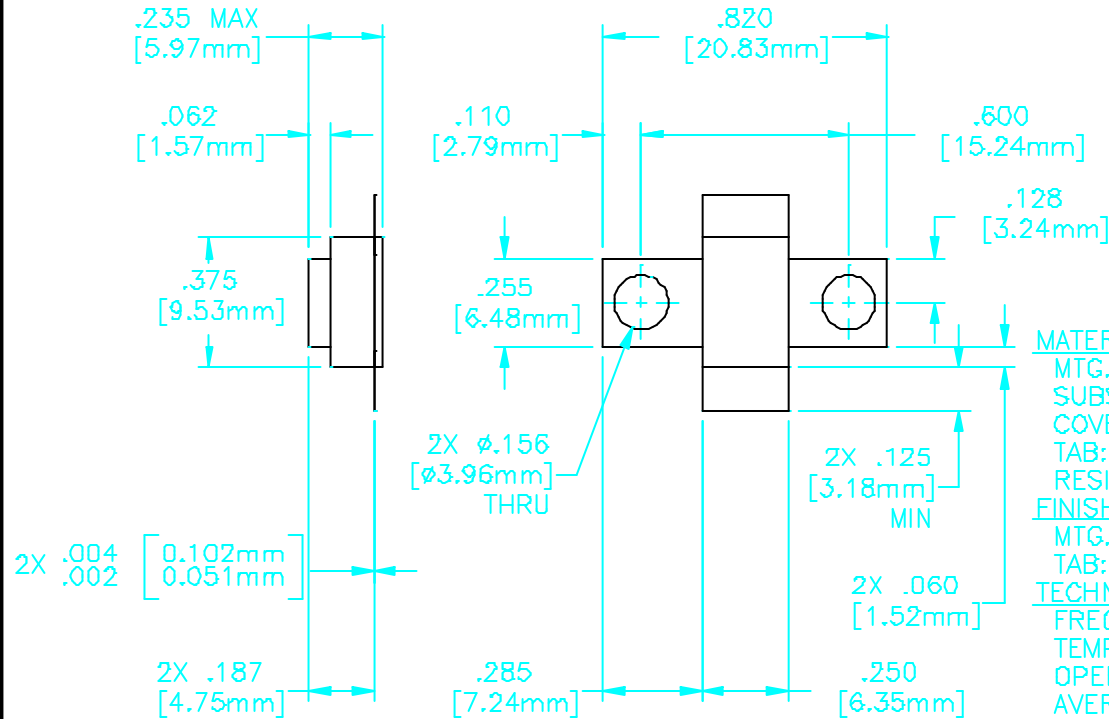
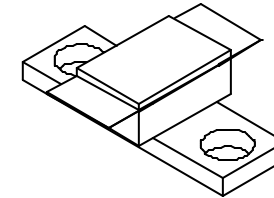
CAD#31-1002D

DRAWING NO.:

31-1002-*

REV.:

D



MATERIALS:


MTG. FLANGE: COPPER PER ASTM B301
SUBSTRATE: BERYLLIUM OXIDE
COVER: ALUMINA
TAB: BERYLLIUM COPPER PER ASTM B194
RESISTIVE FILM: NICHROME

FINISH:

MTG. FLANGE: NICKEL PER QQ-N-290
TAB: TIN/LEAD PER MIL-T-10727

TECHNICAL: (RESISTOR)

FREQUENCY RANGE (GHz): DC-1.5
TEMPERATURE COEFFICIENT: ± 200 PPM/ $^{\circ}$ C MAX
OPERATING TEMPERATURE ($^{\circ}$ C): -55° TO $+150^{\circ}$
AVERAGE POWER (WATTS): 75
*DC RESISTANCE: 50 & 100 OHMS STANDARD

				RLSE# 02462	APVD MTG	DATE 08/12/98	REFERENCE	 8851 OLD KANSAS AVE. STUART, FL 34997 772-286-9300
				UNLESS OTHERWISE SPECIFIED 1. DO NOT SCALE DRAWING 2. DIMENSIONS ARE IN INCHES 3. DIMENSIONS ARE AFTER PLATING 4. CORNERS, EDGES AND FILLETS: R MAX 5. SURFACE ROUGHNESS: B. REMOVE ALL BURRS			CATALOG	
				TOLERANCES .X \pm .XX \pm .XXX \pm ANGLES X \pm			MATERIAL	TITLE
D	ECN#01357	BLP 04/05/02					FINISH	RESISTOR, FLANGE MOUNT, 75 WATT
C	ECN# N/A	=	=				SCALE	
B	ECN# N/A	=	=				CAGE CODE ID NO.	
A	ECN# N/A	=	=				SIZE	
REV.	DESCRIPTION	DRAWN	APVD.	THE INFORMATION CONTAINED HEREIN IS: (A) CONSIDERED PROPRIETARY TO FLORIDA RF LABS INC.; (B) PROTECTED BY COPYRIGHT OWNED BY FLORIDA RF LABS INC.; (C) CONSIDERED A "WORK FOR HIRE" UNDER COPYRIGHT LAWS; (D) PROTECTED BY TRADE SECRET LAWS WHICH MAKE ILLEGAL THE MISAPPROPRIATION OF THIS INFORMATION; AND (E) IS TO BE USED SOLELY FOR THE PURPOSES WHICH IT IS SUPPLIED. THIS INFORMATION SHALL NOT BE DISCLOSED IN WHOLE OR IN PART, TO ANY PARTY, FOR ANY REASON WITHOUT THE EXPRESS WRITTEN CONSENT OF A QUALIFIED EXECUTIVE OF FLORIDA RF LABS INC.			DRAWING NO.:	REV.
							2/1	
							2Y194	
							A	
							DRAWING NO.:	REV.
							31-1002-*	D
							MFG: MJK 08/10/98	CHKD.: NAK 08/07/98
							DRAWN: BLP 08/04/98	SHEET OF