

EDD

NOTES:  
UNLESS OTHERWISE SPECIFIED, TOLERANCES ARE  $\pm .010$ " [.254mm].

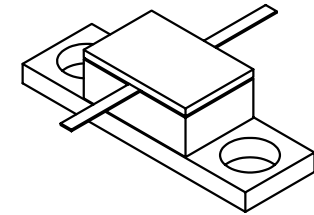
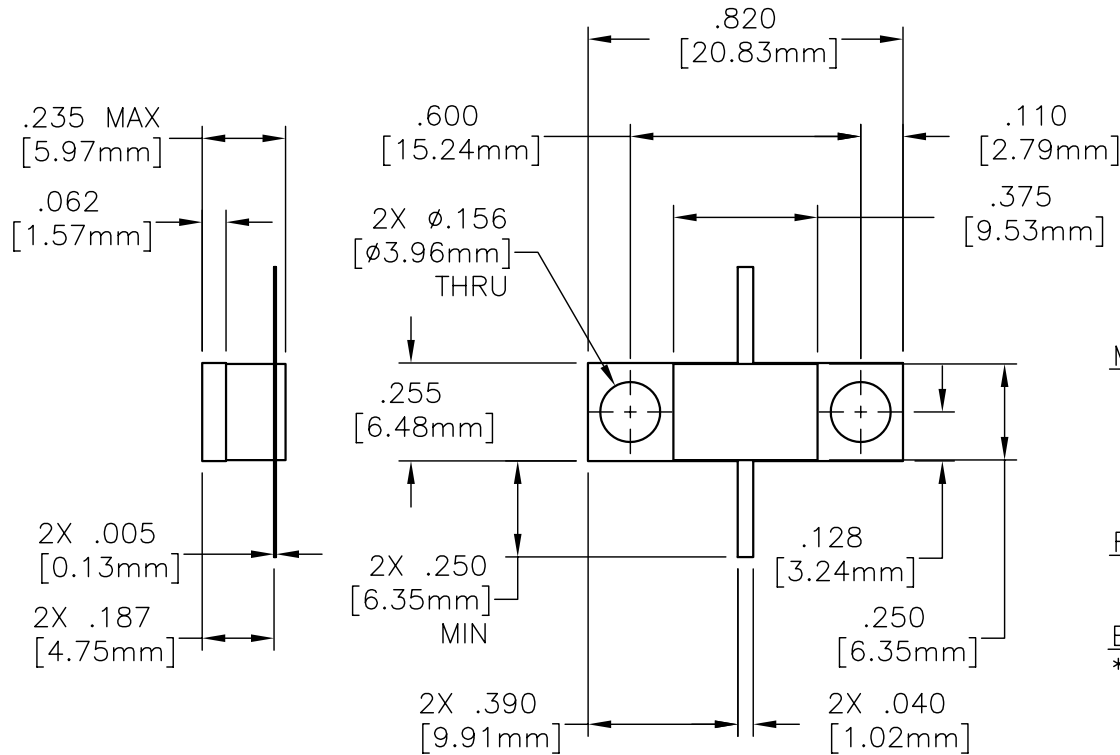
CAD#31-1010D

DRAWING NO.:

31-1010-\*

REV.

D



MATERIALS:


MTG. FLANGE: OFHC 1/4 HD  
SUBSTRATE: BERYLLIUM OXIDE  
COVER: ALUMINA  
TAB: BERYLLIUM COPPER PER ASTM B194  
RESISTIVE FILM: NICHROME

FINISH:

MTG. FLANGE: NICKEL PER QQ-N-290  
TAB: GOLD PER MIL-G-45204

ELECTRICAL:

\*RESISTANCE RANGE: 10-150 OHMS  
FREQUENCY RANGE: DC-2.0 GHz  
AVERAGE POWER: 20 WATTS  
CAPACITANCE: 1.0 pF  
TEMPERATURE COEFFICIENT:  $\pm 200$  PPM/ $^{\circ}$ C MAX  
OPERATING TEMPERATURE:  $-55^{\circ}$  TO  $+150^{\circ}$  ( $^{\circ}$ C)

				ECN# N/A	APVD	DATE	REFERENCE	 8851 OLD KANSAS AVE. STUART, FL. 34997 772-286-9300				
				UNLESS OTHERWISE SPECIFIED				TITLE <b>RESISTOR, FLANGE MOUNT, 20 WATT</b>				
				1. DO NOT SCALE DRAWING 2. DIMENSIONS ARE IN INCHES 3. DIMENSIONS ARE AFTER PLATING 4. CORNERS, EDGES AND FILLETS: R MAX 5. SURFACE ROUGHNESS: 6. REMOVE ALL BURRS			MATERIAL					
				TOLERANCES			FINISH					
				.X $\pm$	ANGLES X $^{\circ}$ $\pm$							
D	ECN#01327	BLP 07/02/02	DR 07/10/02	THE INFORMATION CONTAINED HEREIN IS: (A) CONSIDERED PROPRIETARY TO FLORIDA RF LABS INC.; (B) PROTECTED BY COPYRIGHT OWNED BY FLORIDA RF LABS INC.; (C) CONSIDERED A "WORK FOR HIRE" UNDER COPYRIGHT LAW; (D) PROTECTED BY TRADE SECRET LAWS WHICH MAKE ILLEGAL THE MISAPPROPRIATION OF THIS INFORMATION; AND (E) IS TO BE USED SOLELY FOR THE PURPOSE WHICH IT IS SUPPLIED. THIS INFORMATION SHALL NOT BE DISCLOSED IN WHOLE OR IN PART, TO ANY PARTY, FOR ANY REASON WITHOUT THE EXPRESS WRITTEN CONSENT OF A QUALIFIED EXECUTIVE OF FLORIDA RF LABS INC.			SCALE	CAGE CODE ID NO.	SIZE	DRAWING NO.:	REV.	
C	ECN# N/A	-	-				.XX $\pm$	2/1	2Y194	A	31-1010-*	D
B	ECN# N/A	-	-				.XXX $\pm$	MFG: -	CHKD.: -			
A	ECN# N/A	-	-									
REV.	DESCRIPTION	DRAWN	APVD.						DRAWN: BLP 07/02/02	SHEET OF		