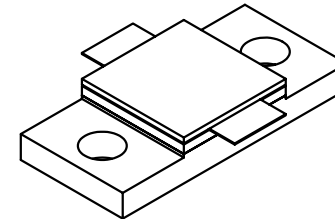
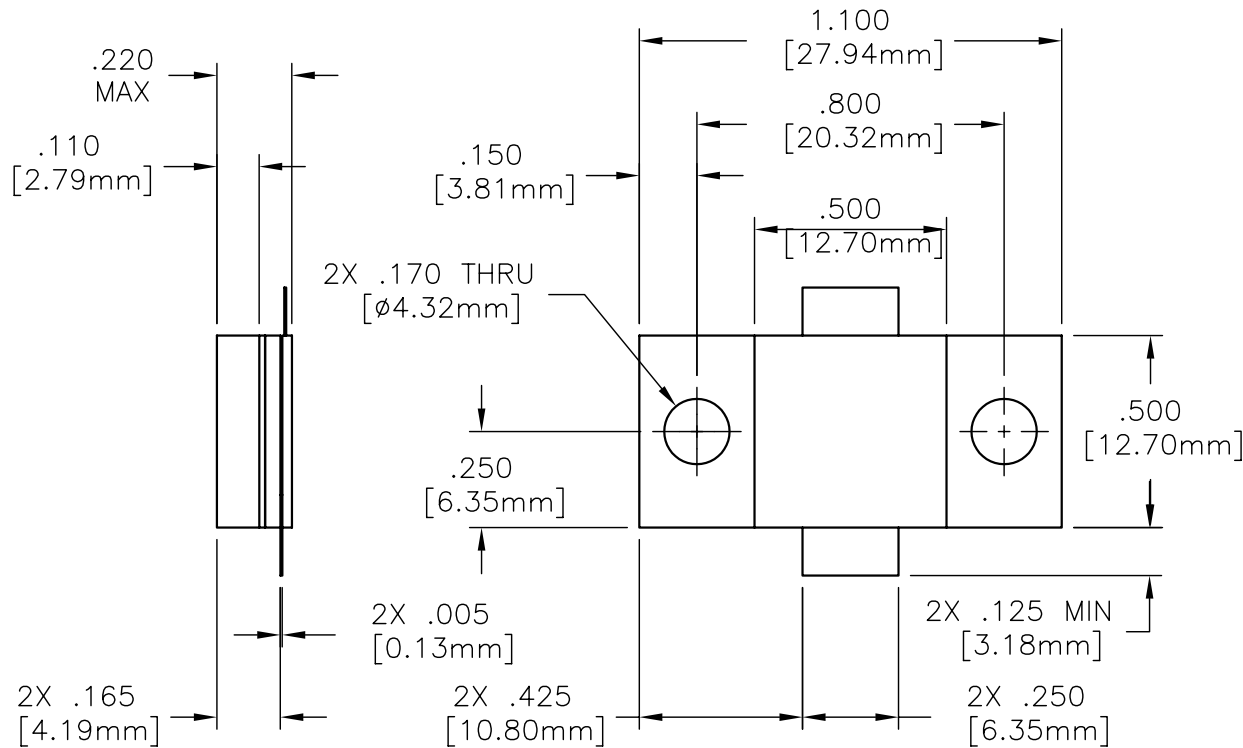


EDD

NOTES:  
UNLESS OTHERWISE SPECIFIED, TOLERANCES ARE ± .010" [.254mm].

CAD#31-1074\_A DRAWING NO.:  
**31-1074-\*** REV.  
**A**



MATERIALS:


MTG. FLANGE: OFHC 1/4 HD  
SUBSTRATE: BERYLLIUM OXIDE  
COVER: ALUMINA  
TAB: BERYLLIUM COPPER PER ASTM B194  
RESISTIVE FILM: NICHROME

FINISH:

MTG. FLANGE: NICKEL PER QQ-N-290  
TAB: TIN/LEAD PER MIL-T-10727

ELECTRICAL: (RESISTOR)

\*RESISTANCE RANGE: 5-200 OHMS  
FREQUENCY RANGE: DC-1.0 GHz  
AVERAGE POWER: 400 WATTS  
CAPACITANCE: 3.25 pF  
TEMPERATURE COEFFICIENT: ± 200 PPM MAX  
OPERATING TEMPERATURE: -55° TO +150° (°C)

				EN# 04-F0164	APVD	DATE	REFERENCE	 8851 OLD KANSAS AVE. STUART, FL. 34997 772-286-9300			
				UNLESS OTHERWISE SPECIFIED 1. DO NOT SCALE DRAWING 2. DIMENSIONS ARE IN INCHES 3. DIMENSIONS ARE AFTER PLATING 4. CORNERS, EDGES AND FILLETS: R MAX 5. SURFACE ROUGHNESS: 6. REMOVE ALL BURRS			MATERIAL	TITLE <b>RESISTOR, FLANGE MOUNT, 400 WATT</b>			
				TOLERANCES .X ± .XX ± .XXX ± ANGLES X° ±			FINISH				
				THE INFORMATION CONTAINED HEREIN IS: (A) CONSIDERED PROPRIETARY TO FLORIDA RF LABS INC.; (B) PROTECTED BY COPYRIGHT OWNED BY FLORIDA RF LABS INC.; (C) CONSIDERED A "WORK FOR HIRE" UNDER COPYRIGHT LAW; (D) PROTECTED BY TRADE SECRET LAWS WHICH MAKE ILLEGAL THE MISAPPROPRIATION OF THIS INFORMATION; AND (E) IS TO BE USED SOLELY FOR THE PURPOSE WHICH IT IS SUPPLIED. THIS INFORMATION SHALL NOT BE DISCLOSED IN WHOLE OR IN PART, TO ANY PARTY, FOR ANY REASON WITHOUT THE EXPRESS WRITTEN CONSENT OF A QUALIFIED EXECUTIVE OF FLORIDA RF LABS INC.			SCALE <b>2/1</b>	CAGE CODE ID NO. <b>2Y194</b>	SIZE <b>A</b>	DRAWING NO.: <b>31-1074-*</b>	REV. <b>A</b>
REV.	DESCRIPTION	DRAWN	APVD.				MFG:	CHKD.:	DRAWN: ALM 05/11/04	SHEET OF	