

EDD

NOTES:  
UNLESS OTHERWISE SPECIFIED, TOLERANCES ARE  $\pm .010"$  [.254mm].

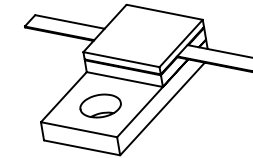
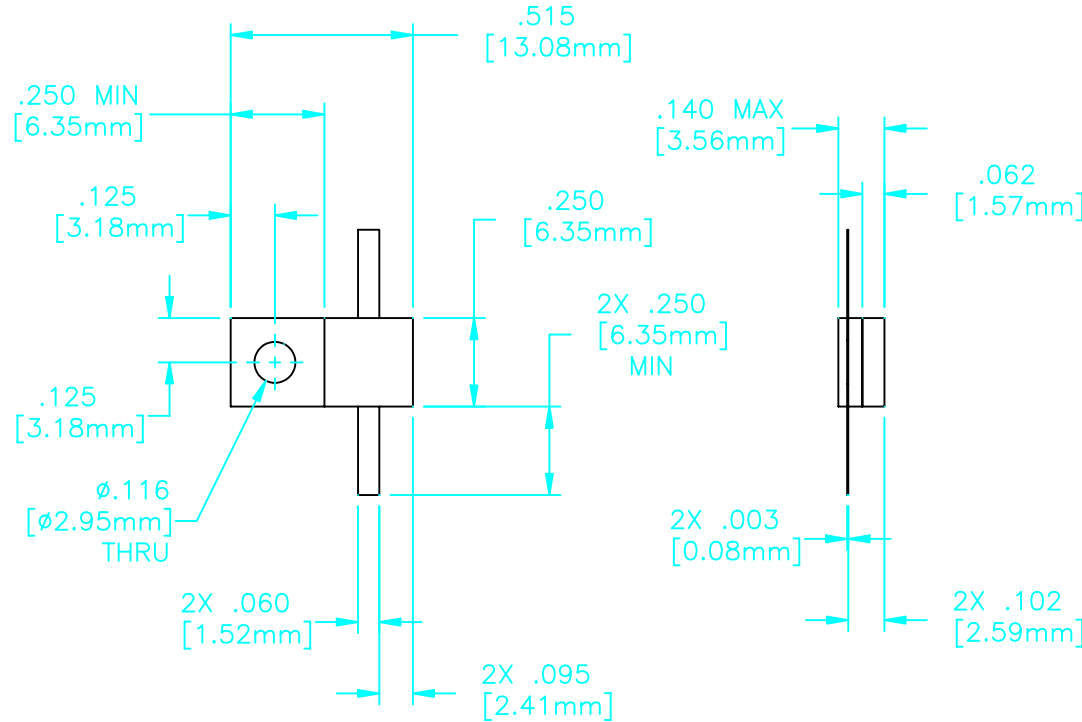
CAD#31-1089B

DRAWING NO.:

31-1089-\*

REV.

B




MATERIALS:

MTG. FLANGE: OFHC (1/4 HD)  
SUBSTRATE: BERYLLIUM OXIDE  
COVER: ALUMINA  
TAB: BERYLLIUM COPPER  
RESISTIVE FILM: NICHROME

FINISH:

MTG. FLANGE: NICKEL OVER COPPER  
TAB: TIN PER MIL-T-10727

				ECN# N/A	APVD -	DATE -	REFERENCE -	 8851 OLD KANSAS AVE. STUART, FL. 34997 561-286-9300			
				UNLESS OTHERWISE SPECIFIED 1. DO NOT SCALE DRAWING 2. DIMENSIONS ARE IN INCHES 3. DIMENSIONS ARE AFTER PLATING 4. CORNERS, EDGES AND FILLETS: R MAX 5. SURFACE ROUGHNESS: 6. REMOVE ALL BURRS			MATERIAL -	TITLE RESISTOR, FLANGE MOUNT, 40 WATT			
				TOLERANCES .X $\pm$ .XX $\pm$ .XXX $\pm$ ANGLES X' $\pm$			FINISH -				
B	ECN#01196	BLP 12/18/01		THE INFORMATION CONTAINED HEREIN IS: (A) CONSIDERED PROPRIETARY TO FLORIDA RF LABS INC.; (B) PROTECTED BY COPYRIGHT OWNED BY FLORIDA RF LABS INC.; (C) CONSIDERED A "WORK FOR HIRE" UNDER COPYRIGHT LAW; (D) PROTECTED BY TRADE SECRET LAWS WHICH MAKE ILLEGAL THE MISAPPROPRIATION OF THIS INFORMATION; AND (E) IS TO BE USED SOLELY FOR THE PURPOSE WHICH IT IS SUPPLIED. THIS INFORMATION SHALL NOT BE DISCLOSED IN WHOLE OR IN PART, TO ANY PARTY, FOR ANY REASON WITHOUT THE EXPRESS WRITTEN CONSENT OF A QUALIFIED EXECUTIVE OF FLORIDA RF LABS INC.			SCALE 2/1	CAGE CODE ID NO. 2Y194	SIZE A	DRAWING NO.: 31-1089-*	REV. B
A	ECN# N/A	-	-				MFG:	CHKD.:	DRAWN: BLP 12/18/01	SHEET 1 OF 2	

EDD

CAD#31-1089B

DRAWING NO.

31-1089-\*

REV

B

REQUIREMENTS	RATING	REQUIREMENTS	RATING			
FREQUENCY RANGE (GHz)	DC-4.0	VIBRATION	MIL-STD-202 METHOD 204 COND. D (20 G's)			
TEMPERATURE COEFFICIENT	LESS THAN 200 PPM					
OPERATING TEMPERATURE (°C)	-55° TO +150°	SHOCK	MIL-STD-202 METHOD 213 COND. I (100 G's)			
AVERAGE POWER (WATTS)	40					
*DC RESISTANCE	10-400 OHMS	THERMAL SHOCK	MIL-STD-202 METHOD 107 COND. B (-65 TO +125 °C)			
		TERMINAL STRENGTH	MIL-STD-202 METHOD 211 COND. A			
		MOISTURE RESISTANCE	MIL-STD-202 METHOD 106 LESS STEP 7B			
<p>AVERAGE POWER DERATING</p>		SOLDERABILITY	MIL-STD-202 METHOD 208			
			RESISTANCE TO SOLDER HEAT	MIL-STD-202 METHOD 210		
<p>TITLE RESISTOR, FLANGE MOUNT, 40 WATT</p>			<p>8851 OLD KANSAS AVE. STUART, FL. 34997 561-286-9300</p>	<p>DRAWN -</p> <p>SHEET 2 OF 2</p>	<p>DRAWING NO.</p> <p>31-1089-*</p>	<p>REV</p> <p>B</p>