

EDD

NOTES:
UNLESS OTHERWISE SPECIFIED, TOLERANCES ARE $\pm .010$ " [.254mm].

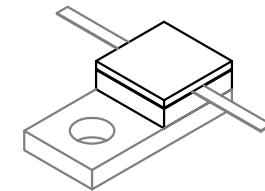
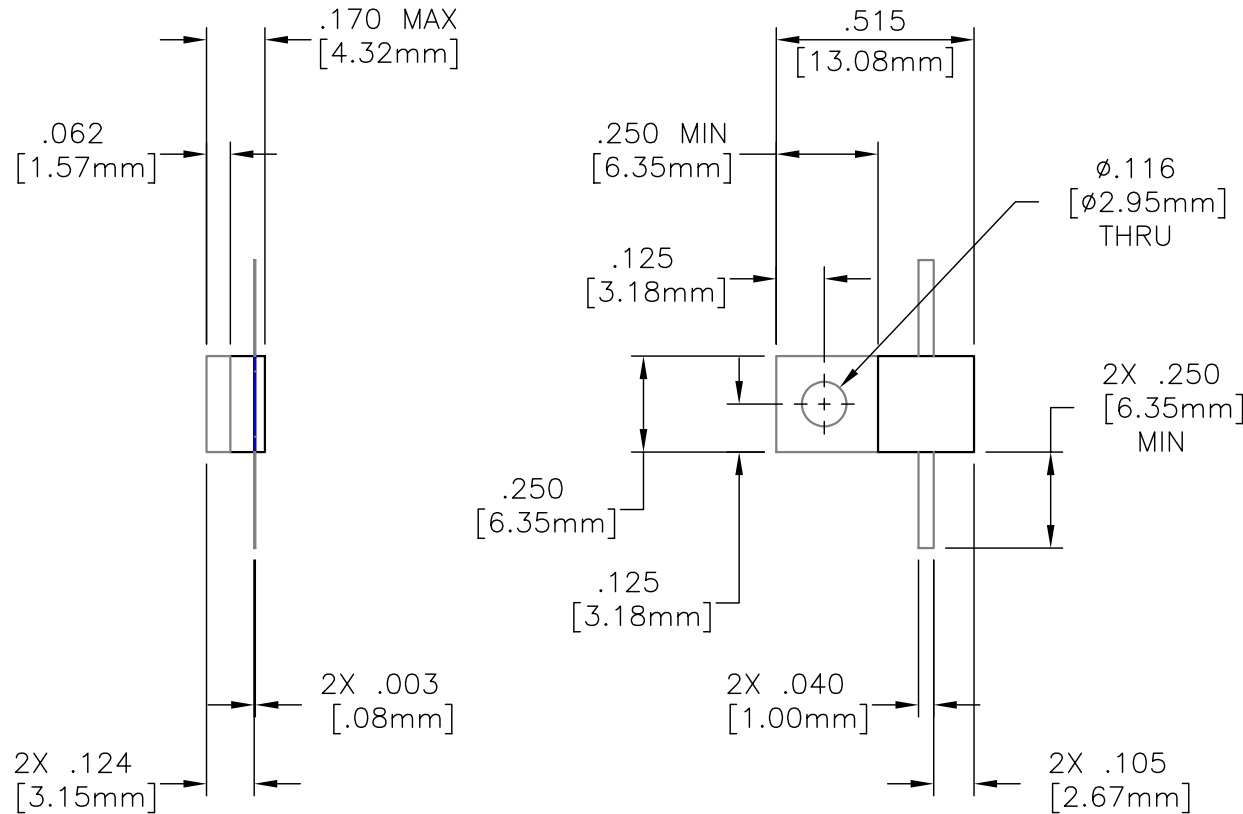
CAD#31-1094_C

DRAWING NO.:

31-1094-*

REV.

C




MATERIALS:


MTG. FLANGE: OFHC 1/4 HD
SUBSTRATE: BERYLLIUM OXIDE
COVER: ALUMINA
TAB: BERYLLIUM COPPER
RESISTIVE FILM: NICHROME

FINISH:

MTG. FLANGE: NICKEL OVER COPPER
TAB: TIN/LEAD PER MIL-T-10727

				ECN# 00957	APVD OA	DATE 09/06/01	REFERENCE	 8851 OLD KANSAS AVE. STUART, FL. 34997 561-286-9300			
UNLESS OTHERWISE SPECIFIED 1. DO NOT SCALE DRAWING 2. DIMENSIONS ARE IN INCHES 3. DIMENSIONS ARE AFTER PLATING 4. CORNERS, EDGES AND FILLETS: R MAX 5. SURFACE ROUGHNESS: 6. REMOVE ALL BURRS							MATERIAL		TITLE RESISTOR, FLANGE MOUNT, 20 WATT		
TOLERANCES .X \pm .XX \pm .XXX \pm ANGLES X° \pm							FINISH				
THE INFORMATION CONTAINED HEREIN IS: (A) CONSIDERED PROPRIETARY TO FLORIDA RF LABS INC.; (B) PROTECTED BY COPYRIGHT OWNED BY FLORIDA RF LABS INC.; (C) CONSIDERED A "WORK FOR HIRE" UNDER COPYRIGHT LAW; (D) PROTECTED BY TRADE SECRET LAWS WHICH MAKE ILLEGAL THE MISAPPROPRIATION OF THIS INFORMATION; AND (E) IS TO BE USED SOLELY FOR THE PURPOSE WHICH IT IS SUPPLIED. THIS INFORMATION SHALL NOT BE DISCLOSED IN WHOLE OR IN PART, TO ANY PARTY, FOR ANY REASON WITHOUT THE EXPRESS WRITTEN CONSENT OF A QUALIFIED EXECUTIVE OF FLORIDA RF LABS INC.							SCALE 2/1			CAGE CODE ID NO. 2Y194	SIZE A
C	EN#04-F0051	ALM 02/09/04							31-1094-*	C	
REV.	DESCRIPTION	DRAWN	APVD.				MFG: MJK 10/02/01	CHKD.: NAK 09/06/01	DRAWN: BLP 08/13/01	SHEET 1 OF 2	

EDD

		CAD#31-1094_C	DRAWING NO. 31-1094-*	REV C	
REQUIREMENTS	RATING	REQUIREMENTS	RATING		
FREQUENCY RANGE (GHz)	DC-2.0	VIBRATION	MIL-STD-202 METHOD 204 COND. D (20 G's)		
TEMPERATURE COEFFICIENT	LESS THAN 200 PPM				
OPERATING TEMPERATURE (°C)	-55° TO +150°	SHOCK	MIL-STD-202 METHOD 213 COND. I (100 G's)		
AVERAGE POWER (WATTS)	20				
DC RESISTANCE	10-400 OHMS	THERMAL SHOCK	MIL-STD-202 METHOD 107 COND. B (-65 TO +125 °C)		
MAX CAPACITANCE	.2pF @ 2.0 GHz				
		TERMINAL STRENGTH	MIL-STD-202 METHOD 211 COND. A		
		MOISTURE RESISTANCE	MIL-STD-202 METHOD 106 LESS STEP 7B		
<p>AVERAGE POWER DERATING</p>		SOLDERABILITY	MIL-STD-202 METHOD 208		
			RESISTANCE TO SOLDER HEAT	MIL-STD-202 METHOD 210	
TITLE	RESISTOR, FLANGE MOUNT, 20 WATT	 8851 OLD KANSAS AVE. STUART, FL. 34997 561-286-9300	DRAWN - SHEET 2 OF 2	DRAWING NO. 31-1094-*	REV C