

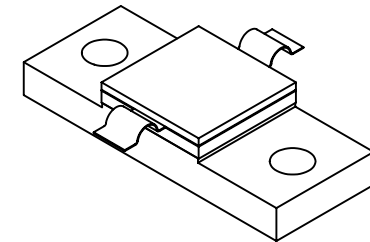
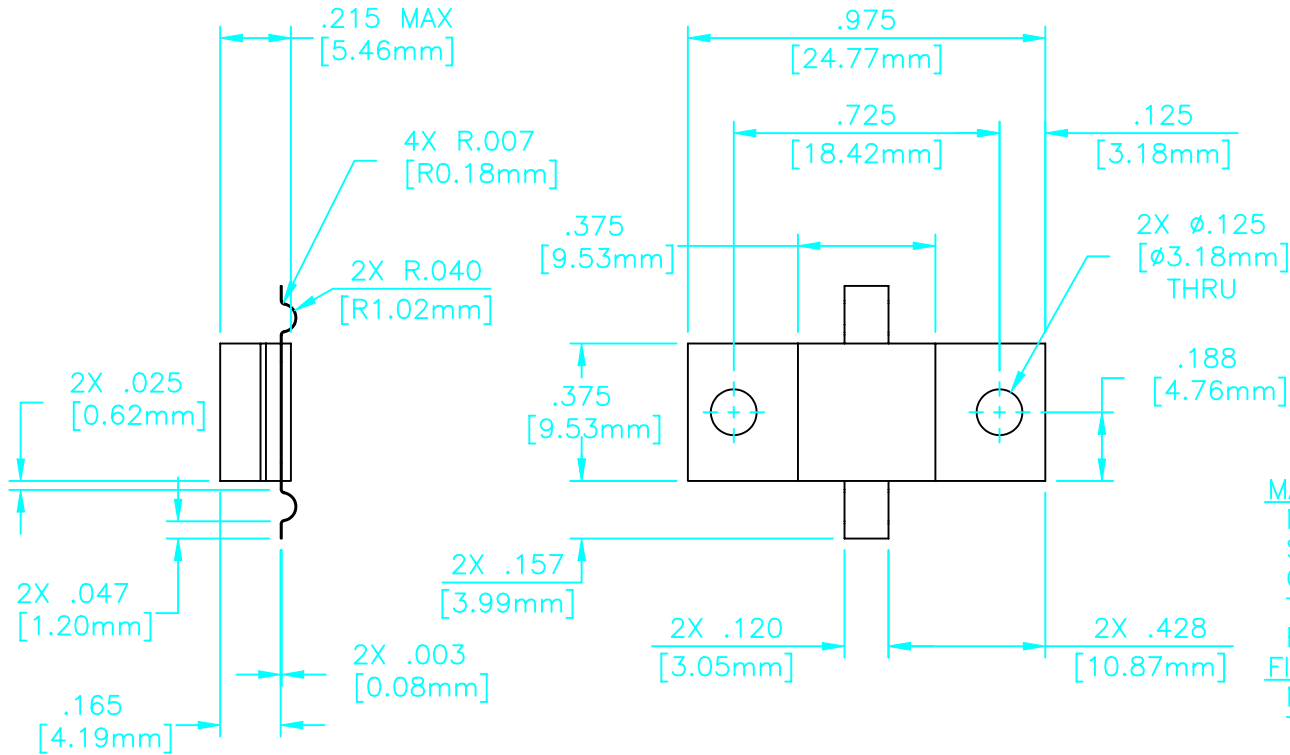
EDD

NOTES:
1. UNLESS OTHERWISE SPECIFIED, TOLERANCES ARE $\pm .010"$ [.254mm].


CAD#31-1098_2

DRAWING NO.:
31-1098-*

REV.
N/C



MATERIALS:
 MTG. FLANGE: OFHC
 SUBSTRATE: BERYLLIUM OXIDE
 COVER: ALUMINA
 TAB: BERYLLIUM COPPER
 RESISTIVE FILM: NICHROME
FINISH:
 MTG. FLANGE: NICKEL OVER COPPER
 TAB: TIN-LEAD

ECN#: 00755		APVD	DATE	REFERENCE	 P.O. BOX 899 STUART, FL. 34995			
UNLESS OTHERWISE SPECIFIED 1. DO NOT SCALE DRAWING 2. DIMENSIONS ARE IN INCHES 3. DIMENSIONS ARE AFTER PLATING 4. CORNERS, EDGES AND FILLETS: R MAX 5. SURFACE ROUGHNESS: 6. REMOVE ALL BURRS				MATERIAL		TITLE		
TOLERANCES .X \pm .XX \pm .XXX \pm ANGLES X° \pm				FINISH	RESISTOR, FLANGE MOUNT, 250 WATT			
THE INFORMATION CONTAINED HEREIN IS PROPRIETARY TO FLORIDA RF LABS, INC. AND IS TO BE USED SOLELY FOR THE PURPOSE WHICH IT IS SUPPLIED. IT SHALL NOT BE DISCLOSED IN WHOLE OR IN PART, TO ANY OTHER PARTY, WITHOUT THE EXPRESS PERMISSION IN WRITING BY FLORIDA RF LABS, INC.				SCALE	DRAWING NO.:			
REV.		DESCRIPTION	DRAWN	APVD.	CAGE CODE ID NO.	SIZE	31-1098-*	REV.
					2/1	A	N/C	
					2Y194			
					APVD.:	CHKD.:	DRAWN: BLP 07/06/01	SHEET 1 OF 2