

EDD

NOTES:
UNLESS OTHERWISE SPECIFIED, TOLERANCES ARE $\pm .010"$ [.254mm].

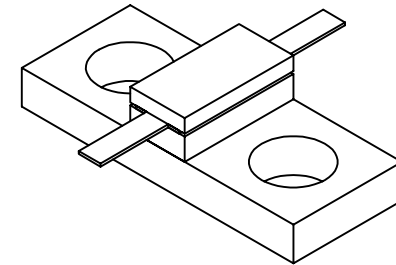
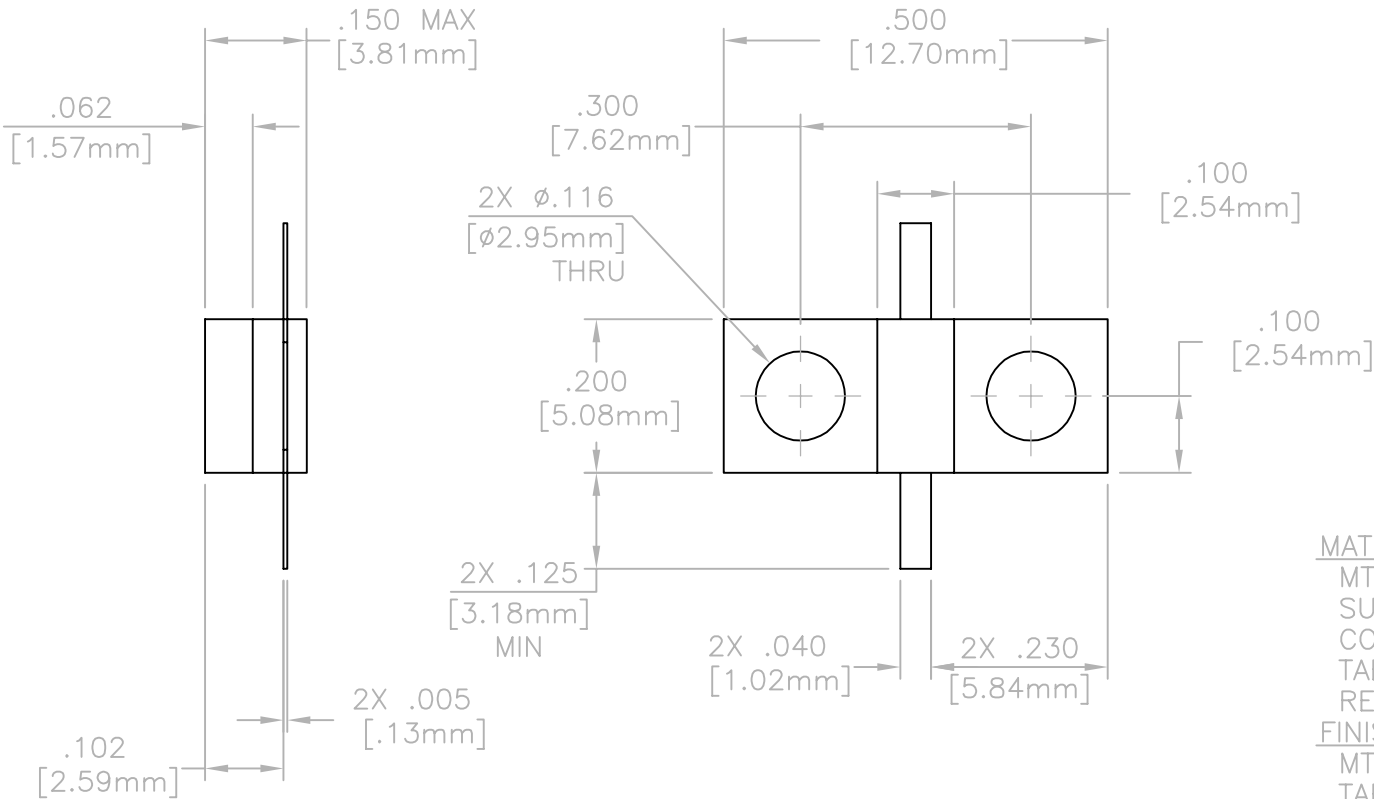
CAD#31-7008B

DRAWING NO.:

31-7008-*

REV.

B




MATERIALS:

MTG. FLANGE: OFHC 1/4 HD
SUBSTRATE: ALUMINUM NITRIDE
COVER: ALUMINA
TAB: BERYLLIUM COPPER
RESISTIVE FILM: NICHROME

FINISH:

MTG. FLANGE: NICKEL OVER COPPER
TAB: TIN/LEAD PER MIL-T-10727

				ECN# N/A	APVD -	DATE -	REFERENCE -	 8851 OLD KANSAS AVE. STUART, FL. 34997 561-286-9300			
				UNLESS OTHERWISE SPECIFIED			MATERIAL -	TITLE RESISTOR, FLANGE MOUNT, 20 WATT			
				1. DO NOT SCALE DRAWING 2. DIMENSIONS ARE IN INCHES 3. DIMENSIONS ARE AFTER PLATING 4. CORNERS, EDGES AND FILLETS: R MAX 5. SURFACE ROUGHNESS: 6. REMOVE ALL BURRS			FINISH -				
				TOLERANCES							
				.X \pm							
				.XX \pm	ANGLES X' \pm						
				.XXX \pm							
B	ECN#00920	BLP 07/30/01		THE INFORMATION CONTAINED HEREIN IS: (A) CONSIDERED PROPRIETARY TO FLORIDA RF LABS INC.; (B) PROTECTED BY COPYRIGHT OWNED BY FLORIDA RF LABS INC.; (C) CONSIDERED A "WORK FOR HIRE" UNDER COPYRIGHT LAW; (D) PROTECTED BY TRADE SECRET LAWS WHICH MAKE ILLEGAL THE MISAPPROPRIATION OF THIS INFORMATION; AND (E) IS TO BE USED SOLELY FOR THE PURPOSE WHICH IT IS SUPPLIED. THIS INFORMATION SHALL NOT BE DISCLOSED IN WHOLE OR IN PART, TO ANY PARTY, FOR ANY REASON WITHOUT THE EXPRESS WRITTEN CONSENT OF A QUALIFIED EXECUTIVE OF FLORIDA RF LABS INC.			SCALE	CAGE CODE ID NO.	SIZE	DRAWING NO.:	REV.
A	N/A	-	-				4/1	2Y194	A	31-7008-*	B
REV.	DESCRIPTION	DRAWN	APVD.				MFG:	CHKD.:	DRAWN: BLP 07/30/01	SHEET 1 OF 2	

EDD

		CAD#31-7008B		DRAWING NO.	31-7008-*	REV	B	
REQUIREMENTS	RATING	REQUIREMENTS	RATING					
FREQUENCY RANGE (GHZ)	DC-4.0	VIBRATION	MIL-STD-202 METHOD 204 COND. D (20 G's)					
TEMPERATURE COEFFICIENT	LESS THAN 200 PPM	SHOCK	MIL-STD-202 METHOD 213 COND. I (100 G's)					
OPERATING TEMPERATURE (°C)	-55° TO +150°	THERMAL SHOCK	MIL-STD-202 METHOD 107 COND. B (-65 TO +125 °C)					
AVERAGE POWER (WATTS)	20	TERMINAL STRENGTH	MIL-STD-202 METHOD 211 COND. A					
DC RESISTANCE	10-250 OHMS	MOISTURE RESISTANCE	MIL-STD-202 METHOD 106 LESS STEP 7B					
MAX CAPACITANCE	-	SOLDERABILITY	MIL-STD-202 METHOD 208					
		RESISTANCE TO SOLDER HEAT	MIL-STD-202 METHOD 210					
<p>AVERAGE POWER DERATING</p>								
<p>TITLE RESISTOR, FLANGE MOUNT, 20 WATT</p>				<p>8851 OLD KANSAS AVE. STUART, FL. 34997 561-286-9300</p>		<p>DRAWING NO. 31-7008-*</p>		<p>REV B</p>
		DRAWN	-	SHEET 2 OF 2				