

# EDD

**NOTES:**

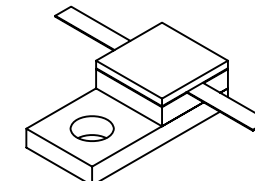
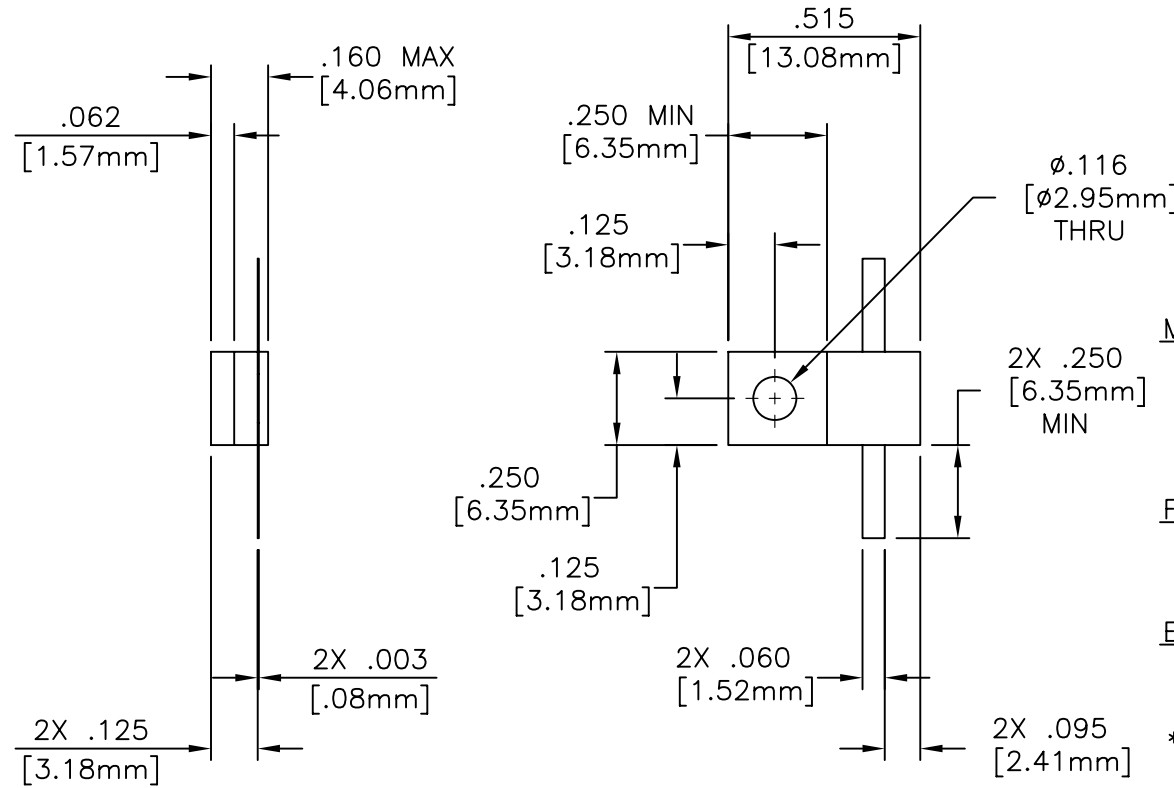
- UNLESS OTHERWISE SPECIFIED, TOLERANCES ARE  $\pm .010"$  [.254mm].
- \*= RESISTANCE RANGE AVAILABLE.

DRAWING NO.:

**31A1001\*F**

REV.

-



**MATERIALS:**


FLANGE: OFHC 1/4 HD  
 SUBSTRATE: BERYLLIUM OXIDE  
 COVER: ALUMINA  
 TAB: BERYLLIUM COPPER  
 RESISTIVE FILM: THIN FILM

**FINISH:**

RoHS COMPLIANT  
 FLANGE: NICKEL OVER COPPER  
 TAB: SILVER PLATED

**ELECTRICALS:**

NOMINAL IMPEDANCE: 50 OHMS  
 FREQUENCY RANGE: DC-2.0 GHz  
 AVERAGE POWER: 20 WATTS  
 \*DC RESISTANCE: 3-250 OHMS  
 CAPACITANCE (MAX): .6 pF  
 TEMPERATURE COEFFICIENT: < 200 PPM  
 OPEARTING TEMPERATURE: -55°C TO +150°C

				EN# 06-F0867	APVD	DATE	REFERENCE		 8851 OLD KANSAS AVE. STUART, FL. 34997 561-286-9300	
				UNLESS OTHERWISE SPECIFIED 1. DO NOT SCALE DRAWING 2. DIMENSIONS ARE IN INCHES 3. DIMENSIONS ARE AFTER PLATING 4. CORNERS, EDGES AND FILLETS: R MAX 5. SURFACE ROUGHNESS: 6. REMOVE ALL BURRS			CATALOG			TITLE <b>RESISTOR,                  FLANGE MOUNT,                  20 WATT</b>
				TOLERANCES .X ± .XX ± .XXX ±			MATERIAL		FINISH -	
				ANGLES X° ±			SCALE			
				THE INFORMATION CONTAINED HEREIN IS: (A) CONSIDERED PROPRIETARY TO FLORIDA RF LABS INC.; (B) PROTECTED BY COPYRIGHT OWNED BY FLORIDA RF LABS INC.; (C) CONSIDERED A "WORK FOR HIRE" UNDER COPYRIGHT LAW; (D) PROTECTED BY TRADE SECRET LAWS WHICH MAKE ILLEGAL THE MISAPPROPRIATION OF THIS INFORMATION; AND (E) IS TO BE USED SOLELY FOR THE PURPOSE WHICH IT IS SUPPLIED. THIS INFORMATION SHALL NOT BE DISCLOSED IN WHOLE OR IN PART, TO ANY PARTY, FOR ANY REASON WITHOUT THE EXPRESS WRITTEN CONSENT OF A QUALIFIED EXECUTIVE OF FLORIDA RF LABS INC.			SIZE		DRAWING NO.: <b>31A1001*F</b>	REV. -
REV.	DESCRIPTION	DRAWN	APVD.	MFG:		CHKD.:		DRAWN: CRH 10/10/06		
								SHEET 1 OF 2		