

EDD

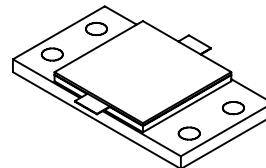
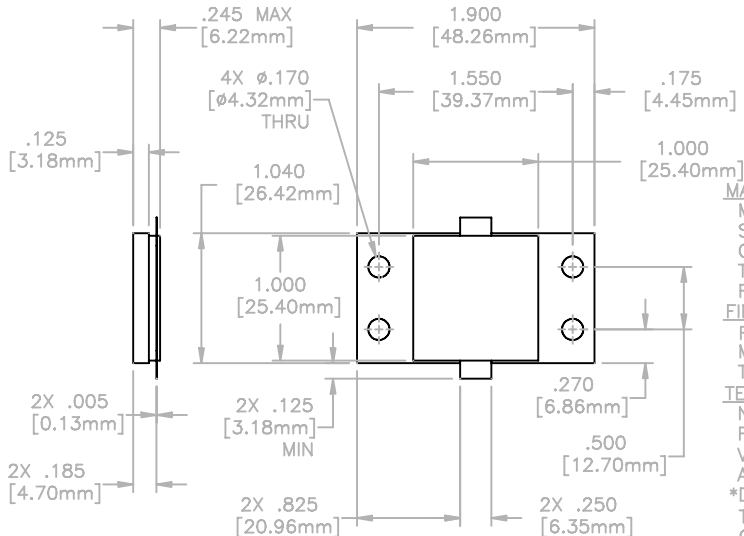
NOTES:  
UNLESS OTHERWISE SPECIFIED, TOLERANCES ARE ± .010" [.254mm].

DRAWING NO.:

31A1005\*F

REV.

-



**MATERIALS:**


MTG. FLANGE: OFHC 1/4 HD  
SUBSTRATE: BERYLLIUM OXIDE  
COVER: ALUMINA  
TAB: BERYLLIUM COPPER PER ASTM B194  
RESISTIVE FILM: NICHROME

**FINISH:**

RoHS COMPLIANT  
MTG. FLANGE: NICKEL OVER COPPER  
TAB: SILVER PER QQ-S-365

**TECHNICAL:**

NOMINAL IMPEDANCE (OHMS): 50  
FREQUENCY RANGE (GHz): DC-0.5  
VSWR (MAX): N/A  
AVERAGE POWER (WATTS): 800  
\*DC RESISTANCE: 12-400 OHMS  
TEMPERATURE COEFFICIENT: ± 200 PPM/°C MAX  
OPERATING TEMPERATURE (°C): -55° TO +150°

				ECN#	APVD	DATE	REFERENCE	 8851 OLD KANSAS AVE. STUART, FL. 34997 772-286-9300			
				UNLESS OTHERWISE SPECIFIED 1. DO NOT SCALE DRAWING 2. DIMENSIONS ARE IN INCHES 3. DIMENSIONS ARE AFTER PLATING 4. CORNERS, EDGES AND FILLETS: R MAX 5. SURFACE ROUGHNESS: 6. REMOVE ALL BURRS			MATERIAL	TITLE			
				TOLERANCES .X ± .XX ± .XXX ± ANGLES X° ±			FINISH	RESISTOR, FLANGE MOUNT, 800 WATT			
				THE INFORMATION CONTAINED HEREIN IS: (A) CONSIDERED PROPRIETARY TO FLORIDA RF LABS INC. (B) PROTECTED BY COPYRIGHT OWNED BY FLORIDA RF LABS INC. (C) CONSIDERED A "WORK FOR HIRE" UNDER COPYRIGHT LAW (D) PROTECTED BY TRADE SECRET LAWS WHICH HAVE LEGAL THE MISAPPROPRIATION OF THIS INFORMATION AND (E) IS TO BE USED SOLELY FOR THE PURPOSE WHICH IT IS SUPPLIED. THIS INFORMATION SHALL NOT BE DISCLOSED IN WHOLE OR IN PART, TO ANY PARTY, FOR ANY REASON WITHOUT THE EXPRESS WRITTEN CONSENT OF A QUALIFIED EXECUTIVE OF FLORIDA RF LABS INC.			SCALE	CAGE CODE ID NO.	SIZE	DRAWING NO.:	REV.
							1/1	2Y194	A	31A1005*F	-
REV.	DESCRIPTION	DRAWN	APVD.	MFG:		CHKD.:	DATE: 7/21/06		DRAWN: JAP	SHEET OF	
									7/21/06		