

# EDD

**NOTES:**

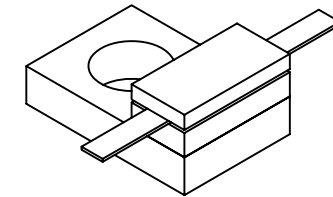
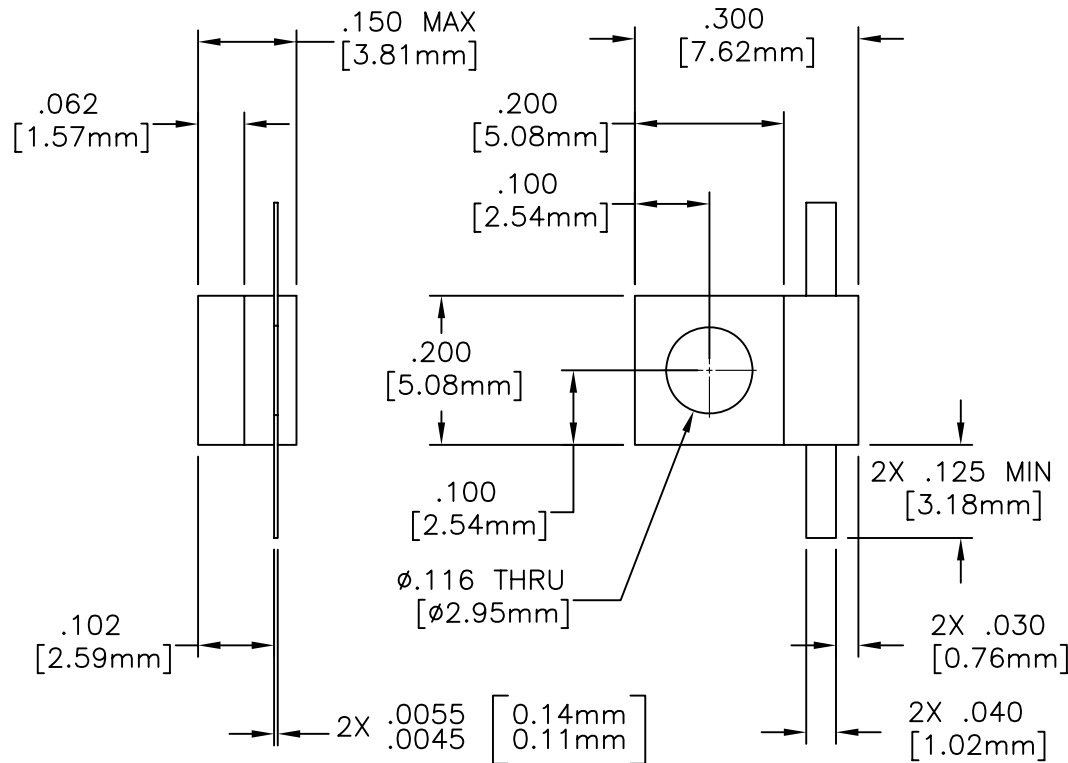
1. UNLESS OTHERWISE SPECIFIED, TOLERANCES ARE  $\pm .010"$  [.254mm].
2. \*= RESISTANCE RANGE AVAILABLE

DRAWING NO.:

**31A1006\*F**

REV.

-



**MATERIALS:**


FLANGE: OFHC 1/4 HD  
 SUBSTRATE: BERYLLIUM OXIDE  
 COVER: ALUMINA  
 TAB: BERYLLIUM COPPER PER ASTM B194  
 RESISTIVE FILM: THIN FILM

**FINISH:**

RoHS COMPLIANT  
 FLANGE: NICKEL OVER COPPER  
 TAB: SILVER PLATED

**TECHNICAL:**

FREQUENCY RANGE: DC-4.0 GHz  
 AVERAGE POWER: 10 WATTS  
 \*DC RESISTANCE: 5-200 OHMS  
 CAPACITANCE: 0.8 pF  
 TEMPERATURE COEFFICIENT:  $\pm 200$  PPM/ $^{\circ}$ C MAX  
 OPERATING TEMPERATURE:  $-55^{\circ}$ C TO  $+150^{\circ}$ C

ECN#06-F0867				APVD	DATE	REFERENCE	 8851 OLD KANSAS AVE. STUART, FL. 34997 772-286-9300			
UNLESS OTHERWISE SPECIFIED 1. DO NOT SCALE DRAWING 2. DIMENSIONS ARE IN INCHES 3. DIMENSIONS ARE AFTER PLATING 4. CORNERS, EDGES AND FILLETS: R MAX 5. SURFACE ROUGHNESS: 6. REMOVE ALL BURRS						MATERIAL	TITLE			
TOLERANCES .X $\pm$ .XX $\pm$ .XXX $\pm$ ANGLES X' $\pm$						FINISH	<b>RESISTOR,                  FLANGE MOUNT                  10 WATT</b>			
THE INFORMATION CONTAINED HEREIN IS: (A) CONSIDERED PROPRIETARY TO FLORIDA RF LABS INC.; (B) PROTECTED BY COPYRIGHT OWNED BY FLORIDA RF LABS INC.; (C) CONSIDERED A "WORK FOR HIRE" UNDER COPYRIGHT LAW; (D) PROTECTED BY TRADE SECRET LAWS WHICH MAKE ILLEGAL THE MISAPPROPRIATION OF THIS INFORMATION; AND (E) IS TO BE USED SOLELY FOR THE PURPOSE WHICH IT IS SUPPLIED. THIS INFORMATION SHALL NOT BE DISCLOSED IN WHOLE OR IN PART, TO ANY PARTY, FOR ANY REASON WITHOUT THE EXPRESS WRITTEN CONSENT OF A QUALIFIED EXECUTIVE OF FLORIDA RF LABS INC.						SCALE	CAGE CODE ID NO.	SIZE	DRAWING NO.:	REV.
						4/1	2Y194	A	31A1006*F	-
REV.	DESCRIPTION	DRAWN	APVD.			MFG:	CHKD.:	DRAWN: CRH	10/10/06	SHEET OF