

# EDD

CAD#31A1021F

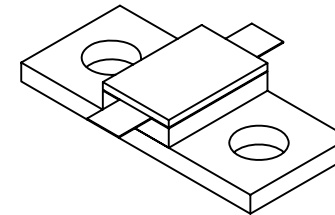
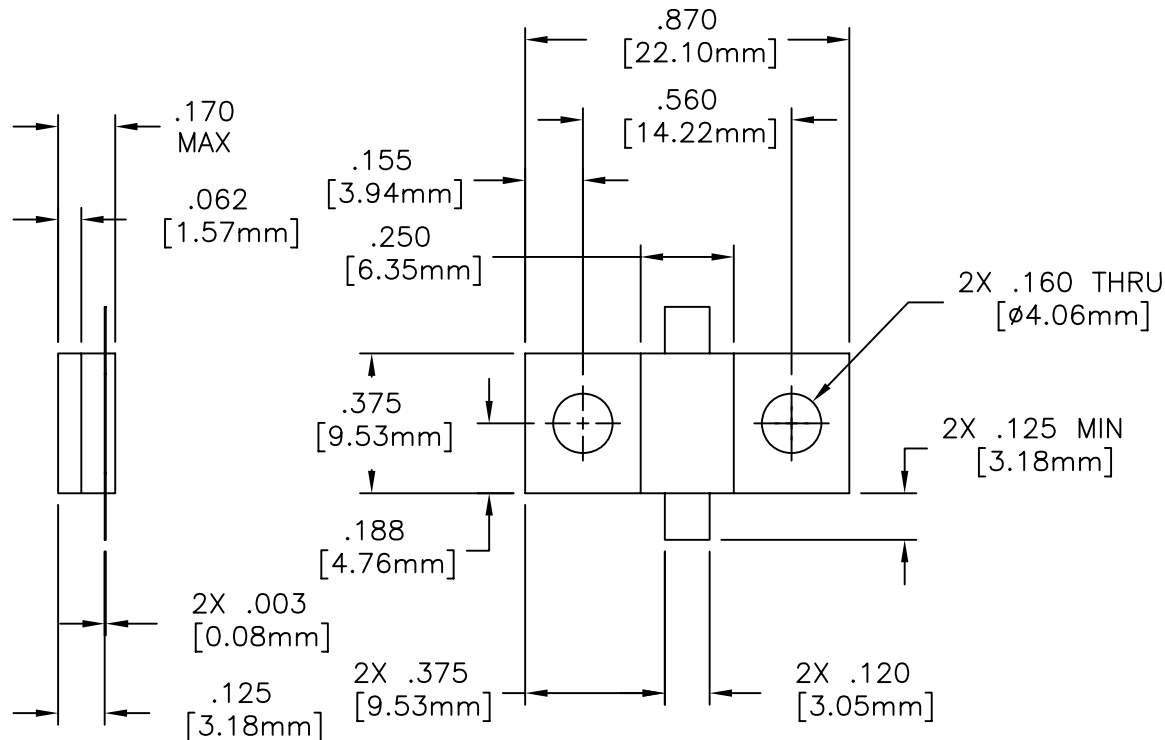
DRAWING NO.:

**31A1021\*F**

REV.

-

NOTES:  
UNLESS OTHERWISE SPECIFIED, TOLERANCES ARE  $\pm .010"$  [.254mm].



**MATERIALS:**


FLANGE: OFHC 1/4 HD  
SUBSTRATE: BERYLLIUM OXIDE  
COVER: ALUMINA  
TAB: BERYLLIUM COPPER PER ASTM B194  
RESISTIVE FILM: THIN FILM

**FINISH:**

RoHS COMPLIANT  
FLANGE: NICKEL PER QQ-N-290  
TAB: SILVER PLATED

**ELECTRICAL: (RESISTOR)**

\*RESISTANCE RANGE: 7-1000 OHMS  
FREQUENCY RANGE: DC-2.0 GHz  
AVERAGE POWER: 150 WATTS  
CAPACITANCE: 0.8 pF  
TEMPERATURE COEFFICIENT:  $\pm 200$  PPM MAX  
OPERATING TEMPERATURE: -55° TO +150° (°C)

				EN# 06-F0580	APVD	DATE	REFERENCE	 8851 OLD KANSAS AVE. STUART, FL. 34997 772-286-9300			
				UNLESS OTHERWISE SPECIFIED 1. DO NOT SCALE DRAWING 2. DIMENSIONS ARE IN INCHES 3. DIMENSIONS ARE AFTER PLATING 4. CORNERS, EDGES AND FILLETS: R MAX 5. SURFACE ROUGHNESS: 6. REMOVE ALL BURRS			MATERIAL	TITLE <b>RESISTOR, FLANGE MOUNT, 150 WATT</b>			
				TOLERANCES .X $\pm$ .XX $\pm$ .XXX $\pm$ ANGLES X° $\pm$			FINISH				
				THE INFORMATION CONTAINED HEREIN IS: (A) CONSIDERED PROPRIETARY TO FLORIDA RF LABS INC.; (B) PROTECTED BY COPYRIGHT OWNED BY FLORIDA RF LABS INC.; (C) CONSIDERED A "WORK FOR HIRE" UNDER COPYRIGHT LAW; (D) PROTECTED BY TRADE SECRET LAWS WHICH MAKE ILLEGAL THE MISAPPROPRIATION OF THIS INFORMATION; AND (E) IS TO BE USED SOLELY FOR THE PURPOSE WHICH IT IS SUPPLIED. THIS INFORMATION SHALL NOT BE DISCLOSED IN WHOLE OR IN PART, TO ANY PARTY, FOR ANY REASON WITHOUT THE EXPRESS WRITTEN CONSENT OF A QUALIFIED EXECUTIVE OF FLORIDA RF LABS INC.			SCALE <b>2/1</b>	CAGE CODE ID NO. <b>2Y194</b>	SIZE <b>A</b>	DRAWING NO.:	REV.
REV.	DESCRIPTION	DRAWN	APVD.				MFG:	CHKD.:	DRAWN: <b>MWS</b> 08/08/06	SHEET OF	
									<b>31A1021*F</b>	-	