

# EDD

NOTES:  
UNLESS OTHERWISE SPECIFIED, TOLERANCES ARE  $\pm .010$ " [.254mm].

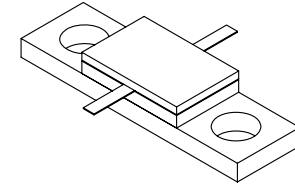
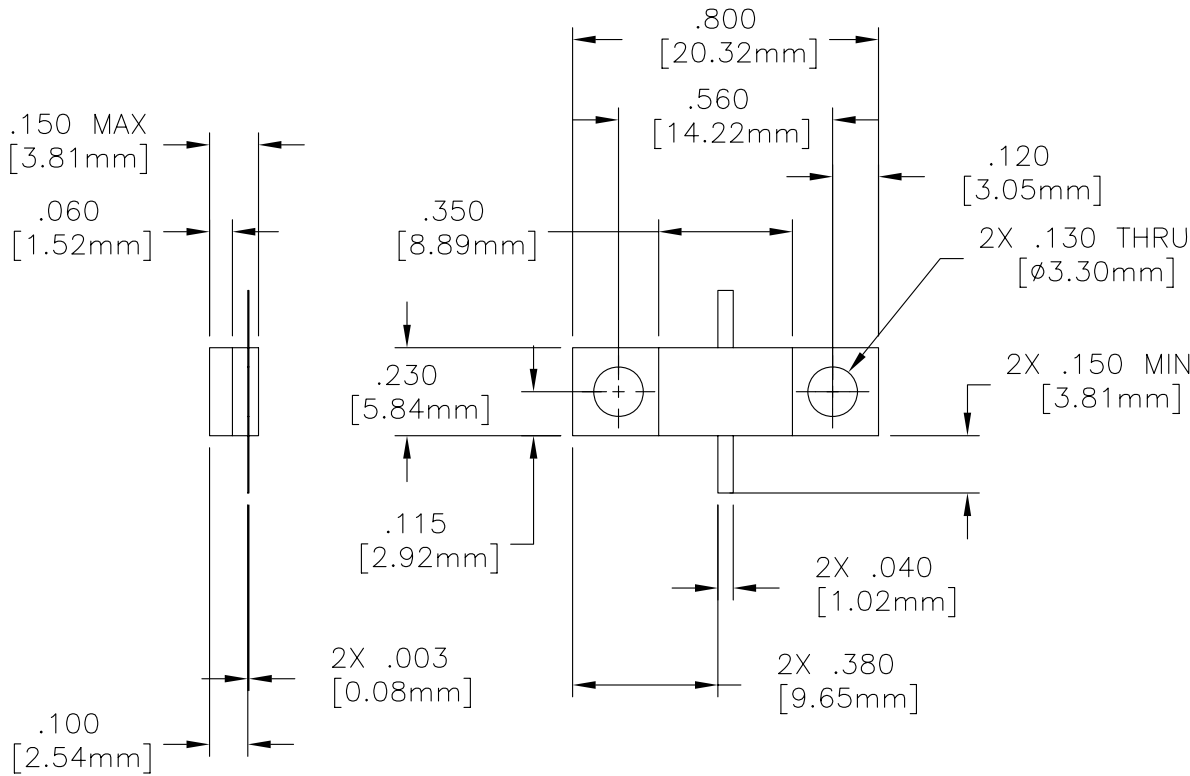
CAD#31A1035F

DRAWING NO.:

**31A1035\*F**

REV.

-



**MATERIALS:**


MTG. FLANGE: OFHC 1/4 HD  
SUBSTRATE: BERYLLIUM OXIDE  
COVER: ALUMINA  
TAB: BERYLLIUM COPPER PER ASTM B194  
RESISTIVE FILM: NICHROME

**FINISH:**

RoHS COMPLIANT  
MTG. FLANGE: NICKEL PER QQ-N-290  
TAB: SILVER PER QQ-S-365

**ELECTRICAL: (RESISTOR)**

\*RESISTANCE RANGE: 9-300 OHMS  
FREQUENCY RANGE: DC-8.0 GHz  
AVERAGE POWER: 40 WATTS  
CAPACITANCE: 0.5 pF  
TEMPERATURE COEFFICIENT:  $\pm 200$  PPM MAX  
OPERATING TEMPERATURE: -55° TO +150° (°C)

				ECN# 06-F0467	APVD	DATE	REFERENCE		 8851 OLD KANSAS AVE. STUART, FL. 34997 772-286-9300		
				UNLESS OTHERWISE SPECIFIED 1. DO NOT SCALE DRAWING 2. DIMENSIONS ARE IN INCHES 3. DIMENSIONS ARE AFTER PLATING 4. CORNERS, EDGES AND FILLETS: R MAX 5. SURFACE ROUGHNESS: 6. REMOVE ALL BURRS			MATERIAL			<b>TITLE</b> <b>RESISTOR, FLANGE MOUNT, 40 WATT</b>	
				TOLERANCES .X $\pm$ .XX $\pm$ .XXX $\pm$ ANGLES X° $\pm$			FINISH				
				THE INFORMATION CONTAINED HEREIN IS: (A) CONSIDERED PROPRIETARY TO FLORIDA RF LABS INC.; (B) PROTECTED BY COPYRIGHT OWNED BY FLORIDA RF LABS INC.; (C) CONSIDERED A "WORK FOR HIRE" UNDER COPYRIGHT LAW; (D) PROTECTED BY TRADE SECRET LAWS WHICH MAKE ILLEGAL THE MISAPPROPRIATION OF THIS INFORMATION; AND (E) IS TO BE USED SOLELY FOR THE PURPOSE WHICH IT IS SUPPLIED. THIS INFORMATION SHALL NOT BE DISCLOSED IN WHOLE OR IN PART, TO ANY PARTY, FOR ANY REASON WITHOUT THE EXPRESS WRITTEN CONSENT OF A QUALIFIED EXECUTIVE OF FLORIDA RF LABS INC.			SCALE	CAGE CODE ID NO.	SIZE		DRAWING NO.:
REV.	DESCRIPTION	DRAWN	APVD.				2/1	2Y194	A	31A1035*F	-
				MFG:		CHKD.:		DRAWN: JAP 6/6/06		SHEET OF	