

# EDD

CAD#31A1074F

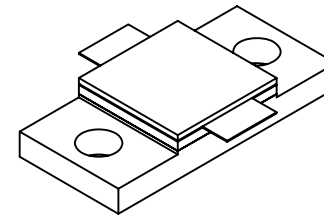
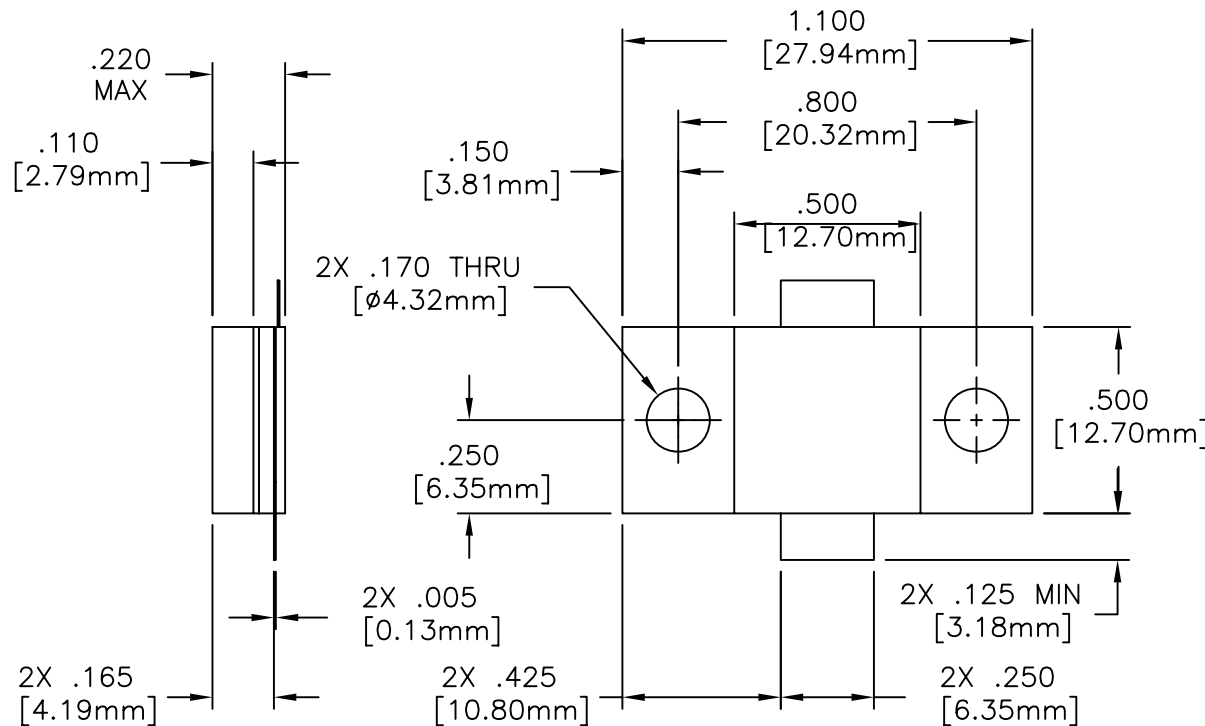
DRAWING NO.:

**31A1074\*F**

REV.

-

NOTES:  
UNLESS OTHERWISE SPECIFIED, TOLERANCES ARE  $\pm .010"$  [.254mm].



**MATERIALS:**


MTG. FLANGE: OFHC 1/4 HD  
SUBSTRATE: BERYLLIUM OXIDE  
COVER: ALUMINA  
TAB: BERYLLIUM COPPER PER ASTM B194  
RESISTIVE FILM: THIN FILM

**FINISH:**

RoHS COMPLIANT  
MTG. FLANGE: NICKEL PER QQ-N-290  
TAB: SILVER PER QQ-S-365

**ELECTRICAL: (RESISTOR)**

\*RESISTANCE RANGE: 5-200 OHMS  
FREQUENCY RANGE: DC-1.0 GHz  
AVERAGE POWER: 400 WATTS  
CAPACITANCE: 3.25 pF  
TEMPERATURE COEFFICIENT:  $\pm 200$  PPM MAX  
OPERATING TEMPERATURE: -55° TO +150° (°C)

|      |             |       |       |  |      |      |           |                  |   |   |      |
|------|-------------|-------|-------|--|------|------|-----------|------------------|---|---|------|
|      |             |       |       | EN# 06-F0702   | APVD | DATE | REFERENCE |                  |  8851 OLD KANSAS AVE.<br>STUART, FL. 34997<br>772-286-9300 |   |      |
|      |             |       |       | UNLESS OTHERWISE SPECIFIED<br>1. DO NOT SCALE DRAWING<br>2. DIMENSIONS ARE IN INCHES<br>3. DIMENSIONS ARE AFTER PLATING<br>4. CORNERS, EDGES AND FILLETS: R MAX<br>5. SURFACE ROUGHNESS:<br>6. REMOVE ALL BURRS  |      |      | MATERIAL  |                  |   | <b>TITLE</b><br><b>RESISTOR,<br/>FLANGE MOUNT,<br/>400 WATT</b> |      |
|      |             |       |       | TOLERANCES<br>.X $\pm$<br>.XX $\pm$<br>.XXX $\pm$<br>ANGLES X° $\pm$   |      |      | FINISH    |                  |   |   |      |
|      |             |       |       | THE INFORMATION CONTAINED HEREIN IS: (A) CONSIDERED PROPRIETARY TO FLORIDA RF LABS INC.; (B) PROTECTED BY COPYRIGHT OWNED BY FLORIDA RF LABS INC.; (C) CONSIDERED A "WORK FOR HIRE" UNDER COPYRIGHT LAW; (D) PROTECTED BY TRADE SECRET LAWS WHICH MAKE ILLEGAL THE MISAPPROPRIATION OF THIS INFORMATION; AND (E) IS TO BE USED SOLELY FOR THE PURPOSE WHICH IT IS SUPPLIED. THIS INFORMATION SHALL NOT BE DISCLOSED IN WHOLE OR IN PART, TO ANY PARTY, FOR ANY REASON WITHOUT THE EXPRESS WRITTEN CONSENT OF A QUALIFIED EXECUTIVE OF FLORIDA RF LABS INC. |      |      | SCALE     | CAGE CODE ID NO. | SIZE  | DRAWING NO.:  | REV. |
|      |             |       |       |  |      |      | 2/1       | 2Y194            | A   | 31A1074*F   | -    |
| REV. | DESCRIPTION | DRAWN | APVD. |  |      |      | MFG:      | CHKD.:           | DRAWN: JAP<br>8/8/06  | SHEET OF  |      |