

NOTES:

1. UNLESS OTHERWISE SPECIFIED, TOLERANCES ARE $\pm .010"$ (.254mm).

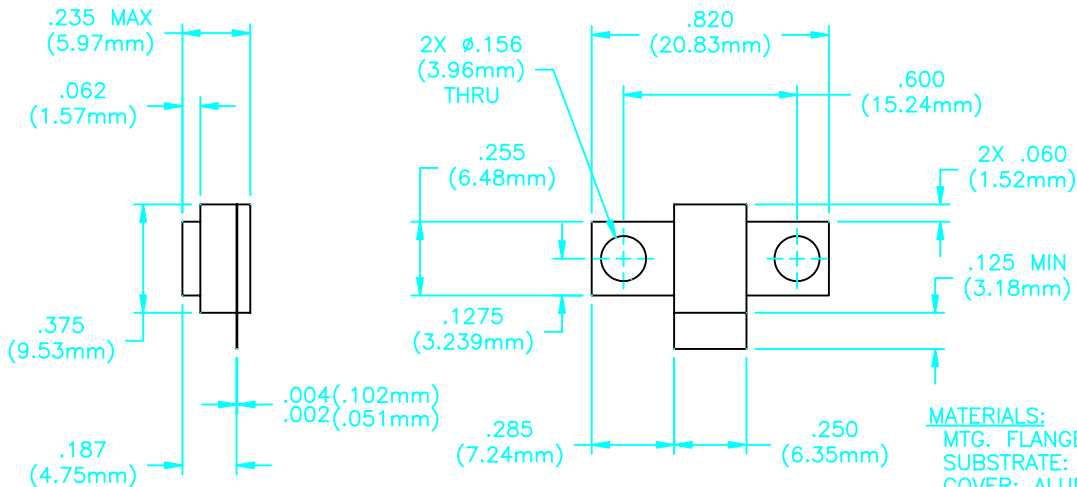
CAD#321002_2

DRAWING NO.:

32-1002

REV.

N/C




MATERIALS:

MTG. FLANGE: COPPER PER ASTM B301
 SUBSTRATE: BERYLLIUM OXIDE
 COVER: ALUMINA OXIDE
 TAB: BERYLLIUM COPPER PER ASTM B194
 RESISTIVE FILM: NICHROME

FINISH:

MTG. FLANGE: NICKEL PER QQ-N-290
 TAB: GOLD PER MIL-G-45204

				RLSE#: 02462	APVD	DATE	REFERENCE	 P.O. BOX 899 STUART, FL. 34995			
				UNLESS OTHERWISE SPECIFIED 1. DO NOT SCALE DRAWING 2. DIMENSIONS ARE IN INCHES 3. DIMENSIONS ARE AFTER PLATING 4. CORNERS, EDGES AND FILLETS: R.005 MAX 5. SURFACE ROUGHNESS: 6. REMOVE ALL BURRS			CATALOG	TITLE TERMINATION, FLANGE MOUNT 75 WATT			
							TOLERANCES			MATERIAL	-
				.X \pm .XX \pm .XXX \pm ANGLES X° \pm			FINISH	-			
				THE INFORMATION CONTAINED HEREIN IS PROPRIETARY TO FLORIDA RF LABS, INC. AND IS TO BE USED SOLELY FOR THE PURPOSE WHICH IT IS SUPPLIED. IT SHALL NOT BE DISCLOSED IN WHOLE OR IN PART, TO ANY OTHER PARTY, WITHOUT THE EXPRESS PERMISSION IN WRITING BY FLORIDA RF LABS, INC.			SCALE	CAGE CODE ID NO.	SIZE	DRAWING NO.:	REV.
REV.	DESCRIPTION	DRAWN	APVD.				2/1	2Y194	A	32-1002	N/C
				APVD.:	CHKD.:		DRAWN: BLP 08/04/98	SHEET 1 OF 2			

CAD#321002_3

DRAWING NO.

32-1002

REV

N/C

REQUIREMENTS	RATING	REQUIREMENTS	RATING
NOMINAL IMPEDANCE (OHMS)	50	VIBRATION	MIL-STD-202 METHOD 204 COND. D (20 G's)
FREQUENCY RANGE (GHz)	DC-1.5		
TEMPERATURE COEFFICIENT	LESS THAN 200 PPM	SHOCK	MIL-STD-202 METHOD 213 COND. I (100 G's)
OPERATING TEMPERATURE (°C)	-55 TO +150		
VSWR (MAX)	1.25:1 DC-1.0 GHz 1.40:1 1.0-1.5 GHz	THERMAL SHOCK	MIL-STD-202 METHOD 107 COND. B (-65 TO +125 °C)
AVERAGE POWER (WATTS)	75		
DC RESISTANCE	50 OHMS ± 5%	TERMINAL STRENGTH	MIL-STD-202 METHOD 211 COND. A
		MOISTURE RESISTANCE	MIL-STD-202 METHOD 106 LESS STEP 7B
<p>AVERAGE POWER DERATING</p>		SOLDERABILITY	MIL-STD-202 METHOD 208
		RESISTANCE TO SOLDER HEAT	MIL-STD-202 METHOD 210

TITLE **TERMINATION, FLANGE MOUNT
75 WATT**



P.O. BOX 899
STUART, FL. 34995

DRAWN -

SHEET 2 OF 2

DRAWING NO.

32-1002

REV

N/C