

# EDD

NOTES:  
UNLESS OTHERWISE SPECIFIED, TOLERANCES ARE  $\pm .010$ " [.254mm].

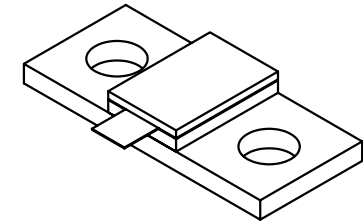
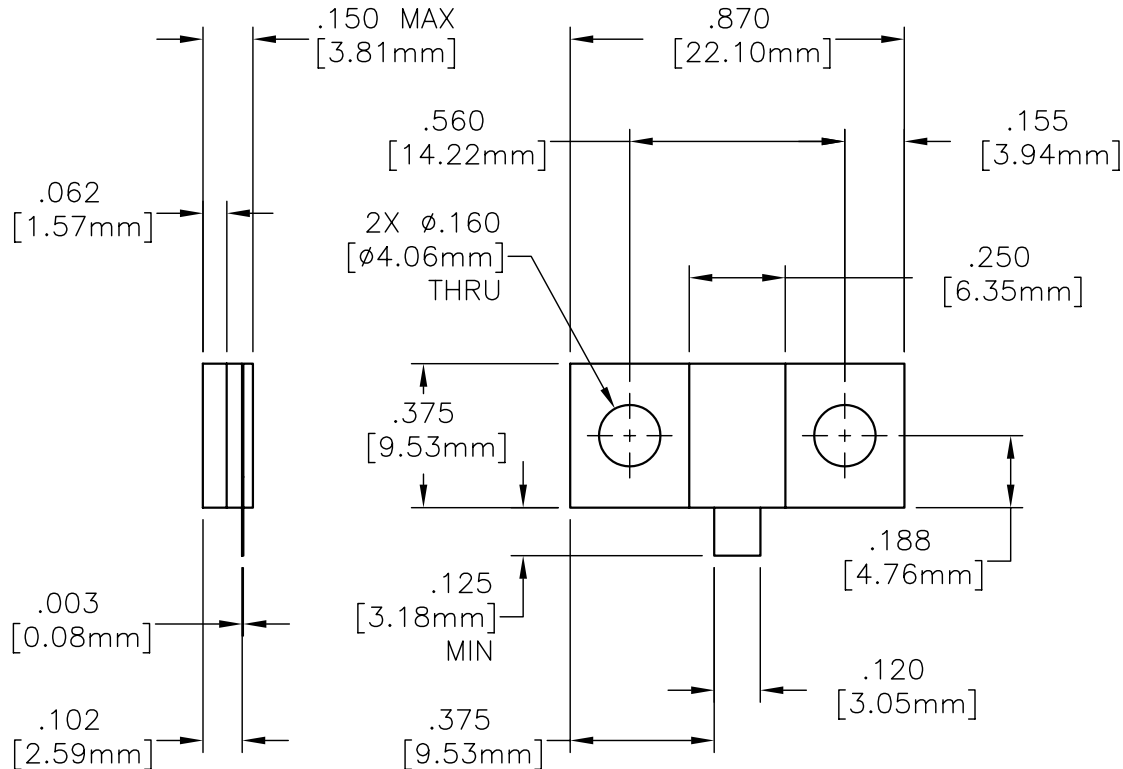
CAD#32-1003G

DRAWING NO.:

**32-1003**

REV.

**G**



**MATERIALS:**

MTG. FLANGE: OFHC 1/4 HD  
SUBSTRATE: BERYLLIUM OXIDE  
COVER: ALUMINA  
TAB: BERYLLIUM COPPER PER ASTM B194  
RESISTIVE FILM: NICHROME

**FINISH:**

MTG. FLANGE: NICKEL OVER COPPER  
TAB: TIN/LEAD PER MIL-T-10727

**TECHNICAL:**

NOMINAL IMPEDANCE (OHMS): 50  
FREQUENCY RANGE (GHz): DC-1.0  
TEMPERATURE COEFFICIENT:  $\pm 200$  PPM/ $^{\circ}$ C MAX  
OPERATING TEMPERATURE ( $^{\circ}$ C):  $-55^{\circ}$  TO  $+150^{\circ}$   
VSWR (MAX): 1.20:1 DC-0.5 GHz  
1.35:1 0.5-1.0 GHz  
AVERAGE POWER (WATTS): 150  
DC RESISTANCE: 50.0 OHMS  $\pm 5\%$

REV.	DESCRIPTION	DRAWN	APVD.	ECN#	N/A	APVD	DATE	REFERENCE	SCALE	CAGE CODE ID NO.	SIZE	DRAWING NO.:	REV.
G	ECN#01424	BLP 07/03/02						CATALOG	2/1	2Y194	A	32-1003	G
F	ECN# N/A	-	-					MATERIAL					
E	ECN# N/A	-	-					FINISH					
D	ECN# N/A	-	-										
C	ECN# N/A	-	-										
B	ECN# N/A	-	-										
A	ECN# N/A	-	-										
REV.	DESCRIPTION	DRAWN	APVD.	ECN#	N/A	APVD	DATE	REFERENCE	SCALE	CAGE CODE ID NO.	SIZE	DRAWING NO.:	REV.



8851 OLD KANSAS AVE.  
STUART, FL. 34997  
772-286-9300

TITLE  
**TERMINATION,  
FLANGE MOUNT,  
150 WATT**

UNLESS OTHERWISE SPECIFIED  
1. DO NOT SCALE DRAWING  
2. DIMENSIONS ARE IN INCHES  
3. DIMENSIONS ARE AFTER PLATING  
4. CORNERS, EDGES AND FILLETS: R MAX  
5. SURFACE ROUGHNESS:  
6. REMOVE ALL BURRS

TOLERANCES  
.X  $\pm$   
.XX  $\pm$   
.XXX  $\pm$

ANGLES X'  $\pm$

THE INFORMATION CONTAINED HEREIN IS: (A) CONSIDERED PROPRIETARY TO FLORIDA RF LABS INC.; (B) PROTECTED BY COPYRIGHT OWNED BY FLORIDA RF LABS INC.; (C) CONSIDERED A "WORK FOR HIRE" UNDER COPYRIGHT LAW; (D) PROTECTED BY TRADE SECRET LAWS WHICH MAKE ILLEGAL THE MISAPPROPRIATION OF THIS INFORMATION; AND (E) IS TO BE USED SOLELY FOR THE PURPOSE WHICH IT IS SUPPLIED. THIS INFORMATION SHALL NOT BE DISCLOSED IN WHOLE OR IN PART, TO ANY PARTY, FOR ANY REASON WITHOUT THE EXPRESS WRITTEN CONSENT OF A QUALIFIED EXECUTIVE OF FLORIDA RF LABS INC.

MFG: - CHKD.: - DRAWN: BLP 07/03/02 SHEET OF