

# EDD

NOTES:  
UNLESS OTHERWISE SPECIFIED, TOLERANCES ARE  $\pm .010$ " [0.254mm].

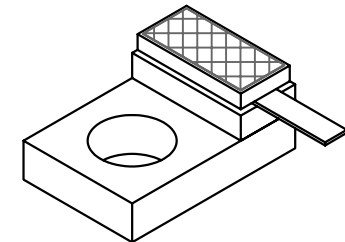
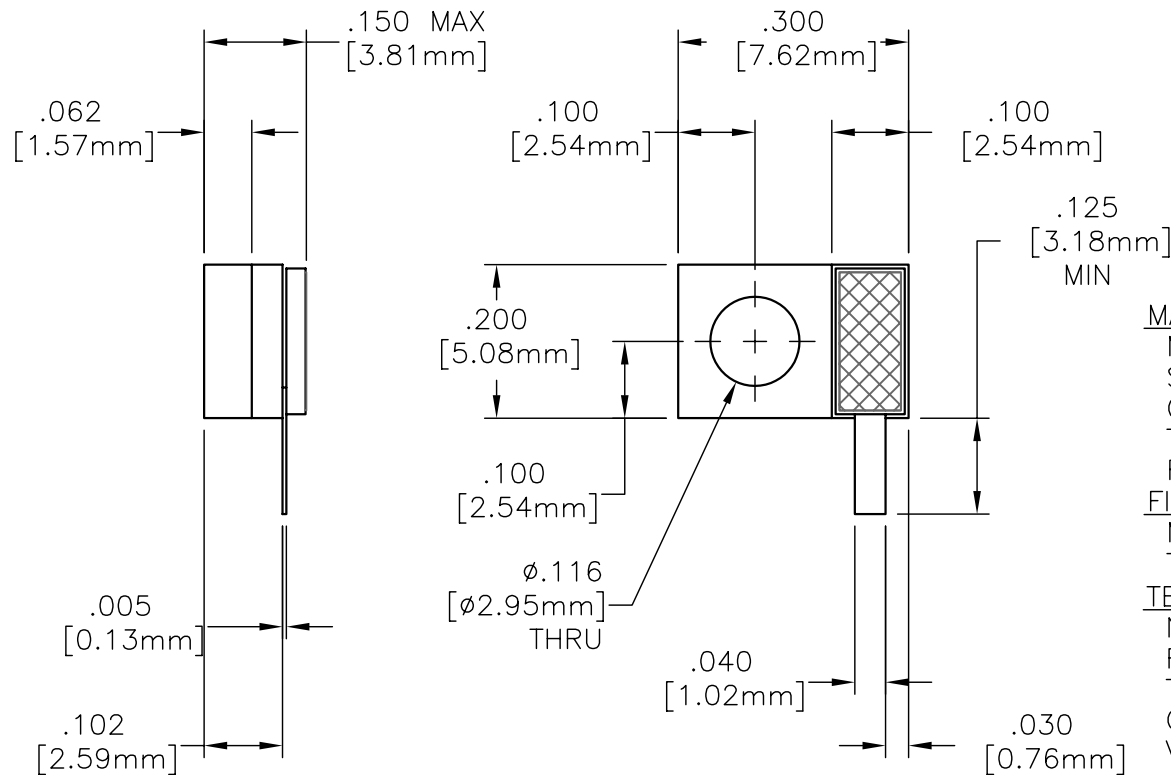
CAD#32-1006F

DRAWING NO.:

**32-1006**

REV.

**F**



**MATERIALS:**


MTG. FLANGE: OFHC 1/4 HD  
SUBSTRATE: BERYLLIUM OXIDE  
COVER: ALUMINA  
TAB: BERYLLIUM COPPER PER ASTM B194  
RESISTIVE FILM: NICHROME

**FINISH:**

MTG. FLANGE: NICKEL OVER COPPER  
TAB: TIN/LEAD PER MIL-T-10727

**TECHNICAL:**

NOMINAL IMPEDANCE (OHMS): 50  
FREQUENCY RANGE (GHz): DC-4.0  
TEMPERATURE COEFFICIENT:  $\pm 200$  PPM/ $^{\circ}$ C MAX  
OPERATING TEMPERATURE ( $^{\circ}$ C):  $-55^{\circ}$  TO  $+150^{\circ}$   
VSWR (MAX): 1.35:1  
AVERAGE POWER (WATTS): 10  
DC RESISTANCE: 50.0 OHMS  $\pm 5\%$

|      |             |                 |       |  |      |      |            |   |          |                        |          |
|------|-------------|-----------------|-------|--|------|------|------------|---|----------|------------------------|----------|
|      |             |                 |       | ECN# N/A   | APVD | DATE | REFERENCE  |  8851 OLD KANSAS AVE.<br>STUART, FL. 34997<br>772-286-9300 |          |                        |          |
|      |             |                 |       | UNLESS OTHERWISE SPECIFIED<br>1. DO NOT SCALE DRAWING<br>2. DIMENSIONS ARE IN INCHES<br>3. DIMENSIONS ARE AFTER PLATING<br>4. CORNERS, EDGES AND FILLETS: R MAX<br>5. SURFACE ROUGHNESS:<br>6. REMOVE ALL BURRS  |      |      | CATALOG    |   |          |                        |          |
|      |             |                 |       | TOLERANCES<br>.X $\pm$<br>.XX $\pm$<br>.XXX $\pm$<br>ANGLES X' $\pm$   |      |      | MATERIAL   | TITLE   |          |                        |          |
|      |             |                 |       | THE INFORMATION CONTAINED HEREIN IS: (A) CONSIDERED PROPRIETARY TO FLORIDA RF LABS INC.; (B) PROTECTED BY COPYRIGHT OWNED BY FLORIDA RF LABS INC.; (C) CONSIDERED A "WORK FOR HIRE" UNDER COPYRIGHT LAW; (D) PROTECTED BY TRADE SECRET LAWS WHICH MAKE ILLEGAL THE MISAPPROPRIATION OF THIS INFORMATION; AND (E) IS TO BE USED SOLELY FOR THE PURPOSE WHICH IT IS SUPPLIED. THIS INFORMATION SHALL NOT BE DISCLOSED IN WHOLE OR IN PART, TO ANY PARTY, FOR ANY REASON WITHOUT THE EXPRESS WRITTEN CONSENT OF A QUALIFIED EXECUTIVE OF FLORIDA RF LABS INC. |      |      | FINISH     | <b>TERMINATION,<br/>FLANGE MOUNT,<br/>10 WATT</b>   |          |                        |          |
| F    | ECN#01329   | BLP<br>04/21/02 |       |  |      |      | SCALE      | CAGE CODE ID NO.  | SIZE     | DRAWING NO.:           | REV.     |
|      |             |                 |       |  |      |      | <b>4/1</b> | <b>2Y194</b>  | <b>A</b> | <b>32-1006</b>         | <b>F</b> |
| REV. | DESCRIPTION | DRAWN           | APVD. |  |      |      | MFG: =     | CHKD.: =  |          | DRAWN: BLP<br>04/21/02 | SHEET OF |