

NOTES:

1. UNLESS OTHERWISE SPECIFIED, TOLERANCES ARE $\pm .010"$ (.254mm).

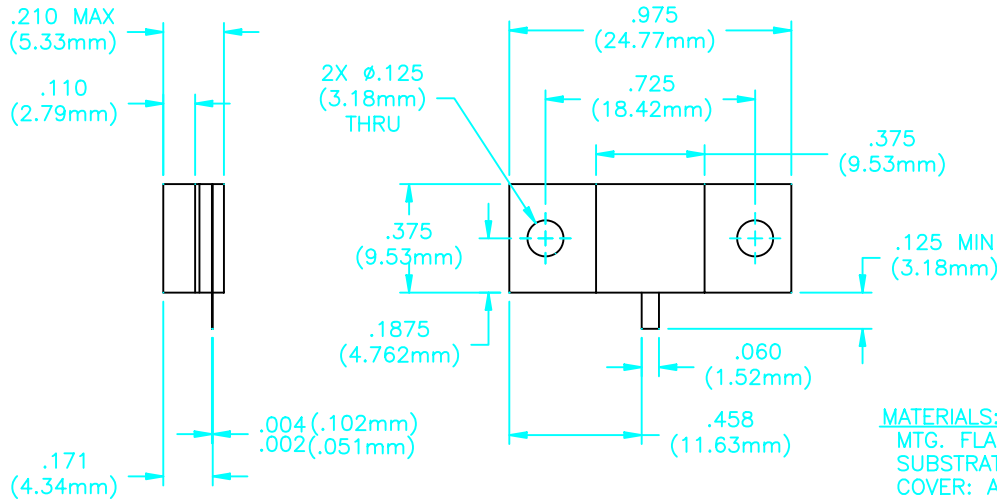
CAD#321016_2

DRAWING NO.:

32-1016

REV.

N/C




MATERIALS:

MTG. FLANGE: COPPER PER ASTM B301
 SUBSTRATE: BERYLLIUM OXIDE
 COVER: ALUMINA OXIDE
 TAB: BERYLLIUM COPPER PER ASTM B194
 RESISTIVE FILM: NICHROME

FINISH:

MTG. FLANGE: NICKEL PER QQ-N-290
 TAB: GOLD PER MIL-G-45204

				RLSE#: 02461	APVD	DATE	REFERENCE	 P.O. BOX 899 STUART, FL. 34995		
				UNLESS OTHERWISE SPECIFIED 1. DO NOT SCALE DRAWING 2. DIMENSIONS ARE IN INCHES 3. DIMENSIONS ARE AFTER PLATING 4. CORNERS, EDGES AND FILLETS: R.005 MAX 5. SURFACE ROUGHNESS: 6. REMOVE ALL BURRS TOLERANCES .X \pm .XX \pm .XXX \pm ANGLES X \pm			CATALOG	TITLE TERMINATION, FLANGE MOUNT 100 WATT		
			MATERIAL				-			
			FINISH				-			
				SCALE	CAGE CODE ID NO.	SIZE	DRAWING NO.:	REV.		
				2/1	2Y194	A	32-1016	N/C		
REV.	DESCRIPTION	DRAWN	APVD.	APVD.:		CHKD.:	DRAWN: BLP 08/03/98	SHEET 1 OF 2		

CAD#321016_3

DRAWING NO.

32-1016

REV

N/C

REQUIREMENTS	RATING	REQUIREMENTS	RATING
NOMINAL IMPEDANCE (OHMS)	50	VIBRATION	MIL-STD-202 METHOD 204 COND. D (20 G's)
FREQUENCY RANGE (GHz)	DC-2.3		
TEMPERATURE COEFFICIENT	LESS THAN 200 PPM	SHOCK	MIL-STD-202 METHOD 213 COND. I (100 G's)
OPERATING TEMPERATURE (°C)	-55 TO +150		
VSWR (MAX)	1.30:1	THERMAL SHOCK	MIL-STD-202 METHOD 107 COND. B (-65 TO +125 °C)
AVERAGE POWER (WATTS)	100		
DC RESISTANCE	50 OHMS ± 5%	TERMINAL STRENGTH	MIL-STD-202 METHOD 211 COND. A
		MOISTURE RESISTANCE	MIL-STD-202 METHOD 106 LESS STEP 7B
<p>AVERAGE POWER DERATING</p> <p>% OF RATED PWR</p> <p>CASE TEMPERATURE IN °C</p>		SOLDERABILITY	MIL-STD-202 METHOD 208
		RESISTANCE TO SOLDER HEAT	MIL-STD-202 METHOD 210

TITLE **TERMINATION, FLANGE MOUNT
100 WATT**



P.O. BOX 899
STUART, FL. 34995

DRAWN

-

SHEET 2 OF 2

DRAWING NO.

32-1016

REV

N/C