

EDD

NOTES:  
UNLESS OTHERWISE SPECIFIED, TOLERANCES ARE  $\pm .010$ " [.254mm].

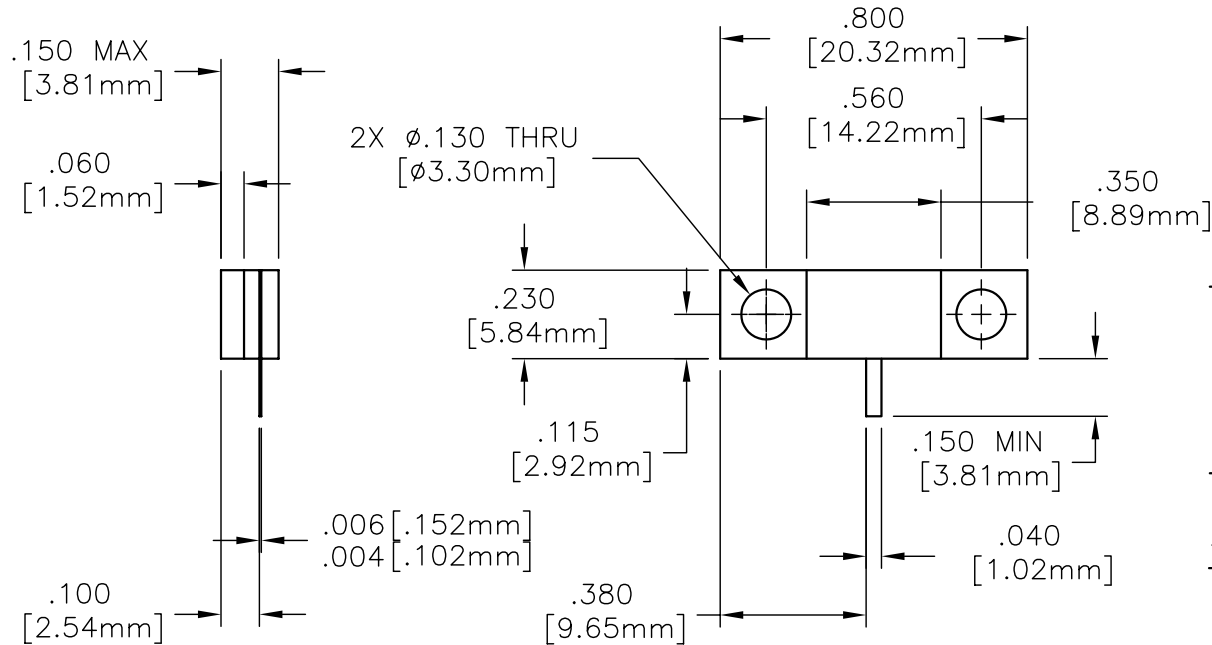
CAD#32-1022\_D

DRAWING NO.:

32-1022

REV.

D



**MATERIALS:**


MTG. FLANGE: COPPER PER ASTM B301  
SUBSTRATE: BERYLLIUM OXIDE  
COVER: ALUMINA OXIDE  
TAB: BERYLLIUM COPPER PER ASTM B194  
RESISTIVE FILM: NICHROME

**FINISH:**

MTG. FLANGE: NICKEL PER QQ-N-290  
TAB: GOLD PER MIL-G-45204

**TECHNICAL: (TERMINATION)**

NOMINAL IMPEDANCE: 50 OHMS  
FREQUENCY RANGE: DC-6.0 GHz  
VSWR (MAX): 1.35:1  
AVERAGE POWER: 60 WATTS  
DC RESISTANCE: 50 OHMS  $\pm$  5%  
TEMPERATURE COEFFICIENT:  $\pm$  200 PPM/ $^{\circ}$ C MAX  
OPERATING TEMPERATURE ( $^{\circ}$ C): -55 $^{\circ}$  TO +150 $^{\circ}$

				RLSE# 02461	APVD MTG	DATE 08/12/98	REFERENCE	 8851 OLD KANSAS AVE. STUART, FL. 34997 772-286-9300			
UNLESS OTHERWISE SPECIFIED 1. DO NOT SCALE DRAWING 2. DIMENSIONS ARE IN INCHES 3. DIMENSIONS ARE AFTER PLATING 4. CORNERS, EDGES AND FILLETS: R MAX 5. SURFACE ROUGHNESS: 6. REMOVE ALL BURRS							MATERIAL		TITLE <b>TERMINATION FLANGE MOUNT 60 WATT</b>		
TOLERANCES .X $\pm$ .XX $\pm$ .XXX $\pm$ ANGLES X $^{\circ}$ $\pm$							FINISH				
THE INFORMATION CONTAINED HEREIN IS: (A) CONSIDERED PROPRIETARY TO FLORIDA RF LABS INC.; (B) PROTECTED BY COPYRIGHT OWNED BY FLORIDA RF LABS INC.; (C) CONSIDERED A "WORK FOR HIRE" UNDER COPYRIGHT LAW; (D) PROTECTED BY TRADE SECRET LAWS WHICH MAKE ILLEGAL THE MISAPPROPRIATION OF THIS INFORMATION; AND (E) IS TO BE USED SOLELY FOR THE PURPOSE WHICH IT IS SUPPLIED. THIS INFORMATION SHALL NOT BE DISCLOSED IN WHOLE OR IN PART, TO ANY PARTY, FOR ANY REASON WITHOUT THE EXPRESS WRITTEN CONSENT OF A QUALIFIED EXECUTIVE OF FLORIDA RF LABS INC.							SCALE 2/1	CAGE CODE ID NO. 2Y194	SIZE A	DRAWING NO.:	REV.
D	ECN#02186	ALM 12/08/03							32-1022	D	
REV.	DESCRIPTION	DRAWN	APVD.	MFG: MTG 08/10/98		CHKD.: NAK 08/07/98	DRAWN: BLP 08/03/98		SHEET	OF	