

NOTES:

1. UNLESS OTHERWISE SPECIFIED, TOLERANCES ARE $\pm .010"$ (.254mm).

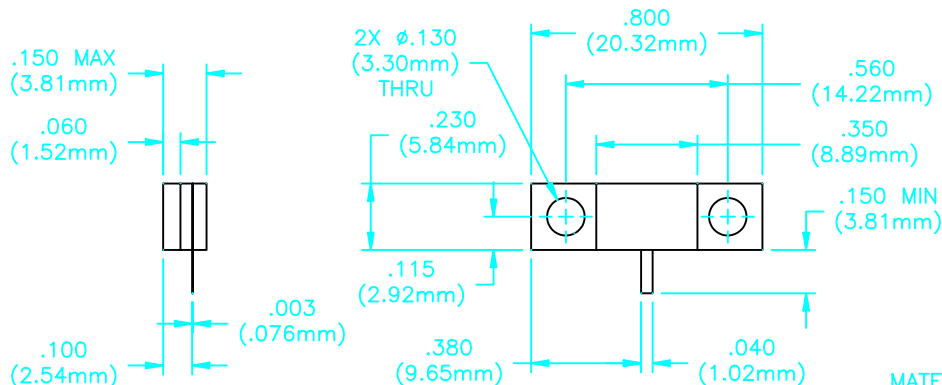
CAD#321032_2

DRAWING NO.:

32-1032

REV.

N/C




MATERIALS:

MTG. FLANGE: COPPER PER ASTM B301
 SUBSTRATE: BERYLLIUM OXIDE
 COVER: ALUMINA OXIDE
 TAB: BERYLLIUM COPPER PER ASTM B194
 RESISTIVE FILM: NICHROME

FINISH:

MTG. FLANGE: NICKEL PER QQ-N-290
 TAB: GOLD PER MIL-G-45204

				RLSE#: 02471	APVD	DATE	REFERENCE	 P.O. BOX 899 STUART, FL. 34995			
				UNLESS OTHERWISE SPECIFIED 1. DO NOT SCALE DRAWING 2. DIMENSIONS ARE IN INCHES 3. DIMENSIONS ARE AFTER PLATING 4. CORNERS, EDGES AND FILLETS: R.005 MAX 5. SURFACE ROUGHNESS: 6. REMOVE ALL BURRS			MATERIAL	TITLE			
				TOLERANCES .X \pm .XX \pm .XXX \pm ANGLES X° \pm			FINISH	- - - 60 WATT			
				THE INFORMATION CONTAINED HEREIN IS PROPRIETARY TO FLORIDA RF LABS, INC. AND IS TO BE USED SOLELY FOR THE PURPOSE WHICH IT IS SUPPLIED. IT SHALL NOT BE DISCLOSED IN WHOLE OR IN PART, TO ANY OTHER PARTY, WITHOUT THE EXPRESS PERMISSION IN WRITING BY FLORIDA RF LABS, INC.			SCALE	CAGE CODE ID NO.	SIZE	DRAWING NO.:	REV.
							2/1	2Y194	A	32-1032	N/C
REV.	DESCRIPTION	DRAWN	APVD.	APVD.:	CHKD.:				DRAWN: BLP 08/11/98	SHEET 1 OF 2	


CAD#321032_3

DRAWING NO.

32-1032

REV

N/C

REQUIREMENTS	RATING	REQUIREMENTS	RATING			
NOMINAL IMPEDANCE (OHMS)	50	VIBRATION	MIL-STD-202 METHOD 204 COND. D (20 G's)			
FREQUENCY RANGE (GHz)	DC-4.0					
TEMPERATURE COEFFICIENT	LESS THAN 200 PPM	SHOCK	MIL-STD-202 METHOD 213 COND. I (100 G's)			
OPERATING TEMPERATURE (°C)	-55 TO +150					
VSWR (MAX)	1.25:1 DC-2.0 GHz 1.50:1 2.0-4.0 GHz	THERMAL SHOCK	MIL-STD-202 METHOD 107 COND. B (-65 TO +125 °C)			
AVERAGE POWER (WATTS)	60					
DC RESISTANCE	50 OHMS ± 5%	TERMINAL STRENGTH	MIL-STD-202 METHOD 211 COND. A			
PEAK POWER (WATTS) P.W.=60 E-6 D.C.=.02	3000					
		MOISTURE RESISTANCE	MIL-STD-202 METHOD 106 LESS STEP 7B			
<p>AVERAGE POWER DERATING</p>		SOLDERABILITY	MIL-STD-202 METHOD 208			
		RESISTANCE TO SOLDER HEAT	MIL-STD-202 METHOD 210			
TITLE TERMINATION, FLANGE MOUNT, 60 WATT			P.O. BOX 899 STUART, FL. 34995	DRAWN -	DRAWING NO. 32-1032	REV N/C
				SHEET 2 OF 2		