

**ORIGINAL**

NOTES:

1. UNLESS OTHERWISE SPECIFIED, TOLERANCES ARE  $\pm .010$ " [.254mm].

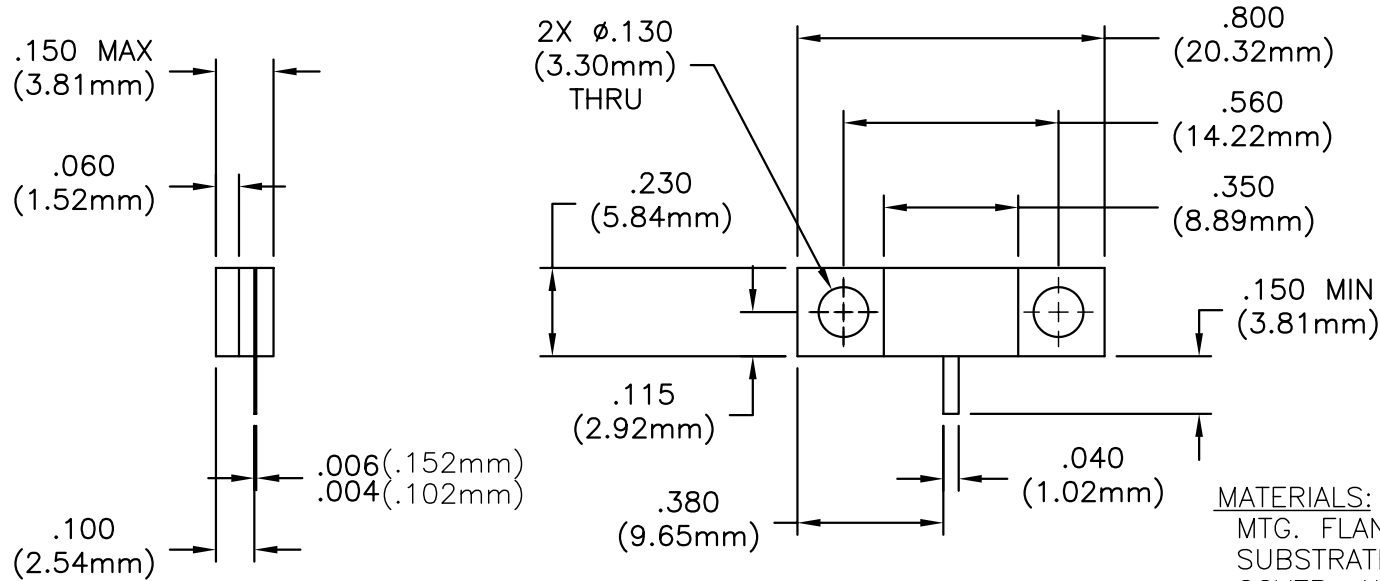
CAD#32-1058E

DRAWING NO.:

**32-1058**

REV.

**E**




MATERIALS:

MTG. FLANGE: COPPER PER ASTM B301  
 SUBSTRATE: BERYLLIUM OXIDE  
 COVER: ALUMINA OXIDE  
 TAB: BERYLLIUM COPPER PER ASTM B194  
 RESISTIVE FILM: NICHROME

FINISH:

MTG. FLANGE: NICKEL PER QQ-N-290  
 TAB: TIN PLATED PER MIL-T-10727

				RLSE# 02452	APVD MTG	DATE 08/12/98	REFERENCE	 8851 OLD KANSAS AVE. STUART, FL. 34997 772-286-9300			
				UNLESS OTHERWISE SPECIFIED 1. DO NOT SCALE DRAWING 2. DIMENSIONS ARE IN INCHES 3. DIMENSIONS ARE AFTER PLATING 4. CORNERS, EDGES AND FILLETS: R MAX 5. SURFACE ROUGHNESS: 6. REMOVE ALL BURRS			CATALOG				
E	ECN#01424	ALM 10/07/02		TOLERANCES			MATERIAL	TITLE <b>TERMINATION,          FLANGE MOUNT          120 WATT</b>			
D	ECN#N/A	-	-	.X $\pm$	ANGLES X° $\pm$		FINISH				
C	ECN#N/A	-	-	.XX $\pm$			-				
B	ECN#N/A	-	-	THE INFORMATION CONTAINED HEREIN IS: (A) CONSIDERED PROPRIETARY TO FLORIDA RF LABS INC.; (B) PROTECTED BY COPYRIGHT OWNED BY FLORIDA RF LABS INC.; (C) CONSIDERED A "WORK FOR HIRE" UNDER COPYRIGHT LAW; (D) PROTECTED BY TRADE SECRET LAWS WHICH MAKE ILLEGAL THE MISAPPROPRIATION OF THIS INFORMATION; AND (E) IS TO BE USED SOLELY FOR THE PURPOSE WHICH IT IS SUPPLIED. THIS INFORMATION SHALL NOT BE DISCLOSED IN WHOLE OR IN PART, TO ANY PARTY, FOR ANY REASON WITHOUT THE EXPRESS WRITTEN CONSENT OF A QUALIFIED EXECUTIVE OF FLORIDA RF LABS INC.			SCALE	CAGE CODE ID NO.	SIZE	DRAWING NO.:	REV.
A	ECN#N/A	-	-				X/X	2Y194	A	32-1058	E
REV.	DESCRIPTION	DRAWN	APVD.	MFG:	MJK 08/10/98	CHKD.:	NAK 08/07/98	DRAWN:	BLP 08/03/98	SHEET	OF