

NOTES:

1. UNLESS OTHERWISE SPECIFIED, TOLERANCES ARE $\pm .010"$ (.254mm).

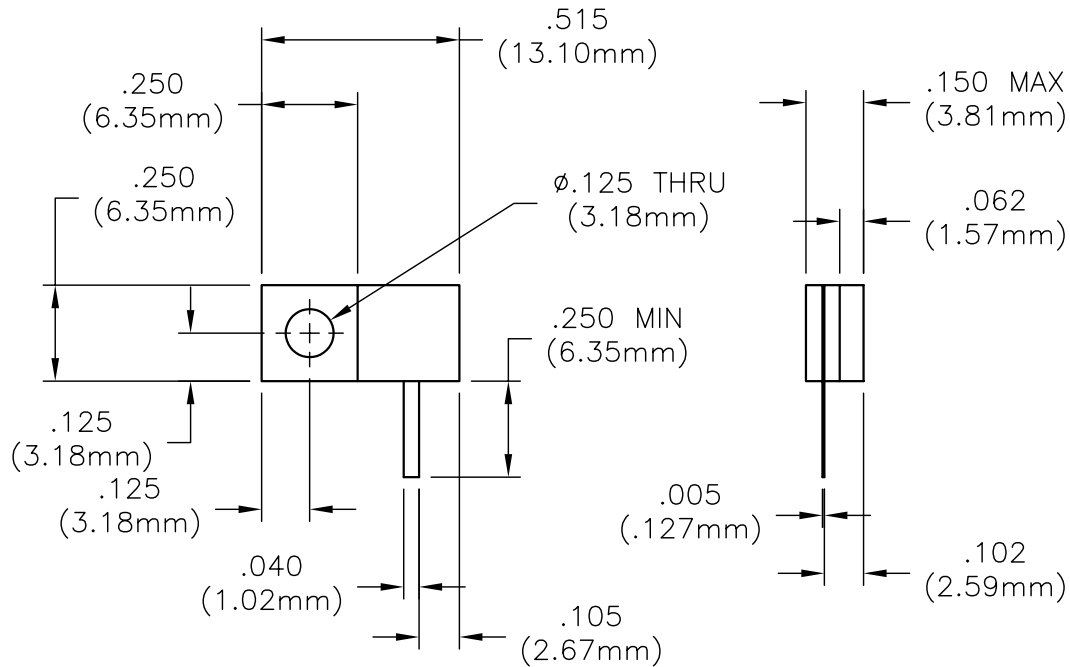
CAD#321121A2

DRAWING NO.:

32-1121

REV.

A




MATERIALS:

MTG. FLANGE: COPPER PER ASTM B301
 SUBSTRATE: BERYLLIUM OXIDE
 COVER: ALUMINA OXIDE
 TAB: BERYLLIUM COPPER PER ASTM B194
 RESISTIVE FILM: NICHROME

FINISH:

MTG. FLANGE: NICKEL PER QQ-N-290
 TAB: TIN PER MIL-T-10727

				RLSE#: 02225	APVD MTG	DATE 08/27/98	REFERENCE	 P.O. BOX 899 STUART, FL. 34995					
				UNLESS OTHERWISE SPECIFIED 1. DO NOT SCALE DRAWING 2. DIMENSIONS ARE IN INCHES 3. DIMENSIONS ARE AFTER PLATING 4. CORNERS, EDGES AND FILLETS: R.005 MAX 5. SURFACE ROUGHNESS: 6. REMOVE ALL BURRS			MATERIAL		TITLE TERMINATION, FLANGE MOUNT, 60 WATT				
							TOLERANCES .X \pm .XX \pm .XXX \pm ANGLES X° \pm			FINISH			
				THE INFORMATION CONTAINED HEREIN IS PROPRIETARY TO FLORIDA RF LABS, INC. AND IS TO BE USED SOLELY FOR THE PURPOSE WHICH IT IS SUPPLIED. IT SHALL NOT BE DISCLOSED IN WHOLE OR IN PART, TO ANY OTHER PARTY, WITHOUT THE EXPRESS PERMISSION IN WRITING BY FLORIDA RF LABS, INC.			SCALE	CAGE CODE ID NO.		SIZE	DRAWING NO.:	REV.	
A	DCN#0818	BLP 08/13/98								2/1	2Y194	A	32-1121
REV.	DESCRIPTION	DRAWN	APVD.				APVD.:	MTG 08/27/98	CHKD.:	NAK 08/27/97	DRAWN:	GEC 08/22/97	SHEET 1 OF 2

CAD#321121A3

DRAWING NO.

32-1121

REV

A

REQUIREMENTS	RATING	REQUIREMENTS	RATING
NOMINAL IMPEDANCE (OHMS)	50	VIBRATION	MIL-STD-202 METHOD 204 COND. D (20 G's)
FREQUENCY RANGE (GHz)	DC-4.0		
TEMPERATURE COEFFICIENT	LESS THAN 200 PPM	SHOCK	MIL-STD-202 METHOD 213 COND. I (100 G's)
OPERATING TEMPERATURE (°C)	-55 TO +150		
VSWR (MAX)	1.20:1	THERMAL SHOCK	MIL-STD-202 METHOD 107 COND. B (-65 TO +125 °C)
AVERAGE POWER (WATTS)	60		
PEAK POWER (WATTS)	500	TERMINAL STRENGTH	MIL-STD-202 METHOD 211 COND. A
DC RESISTANCE	50 OHMS ± 2%		
		MOISTURE RESISTANCE	MIL-STD-202 METHOD 106 LESS STEP 7B
<p>AVERAGE POWER DERATING</p>		SOLDERABILITY	MIL-STD-202 METHOD 208
			RESISTANCE TO SOLDER HEAT

TITLE TERMINATION, FLANGE MOUNT,
60 WATT



P.O. BOX 899
STUART, FL. 34995

DRAWN

-

SHEET 2 OF 2

DRAWING NO.

32-1121

REV

A