

EDD

NOTES:
UNLESS OTHERWISE SPECIFIED, TOLERANCES ARE ± .010" [.254mm].

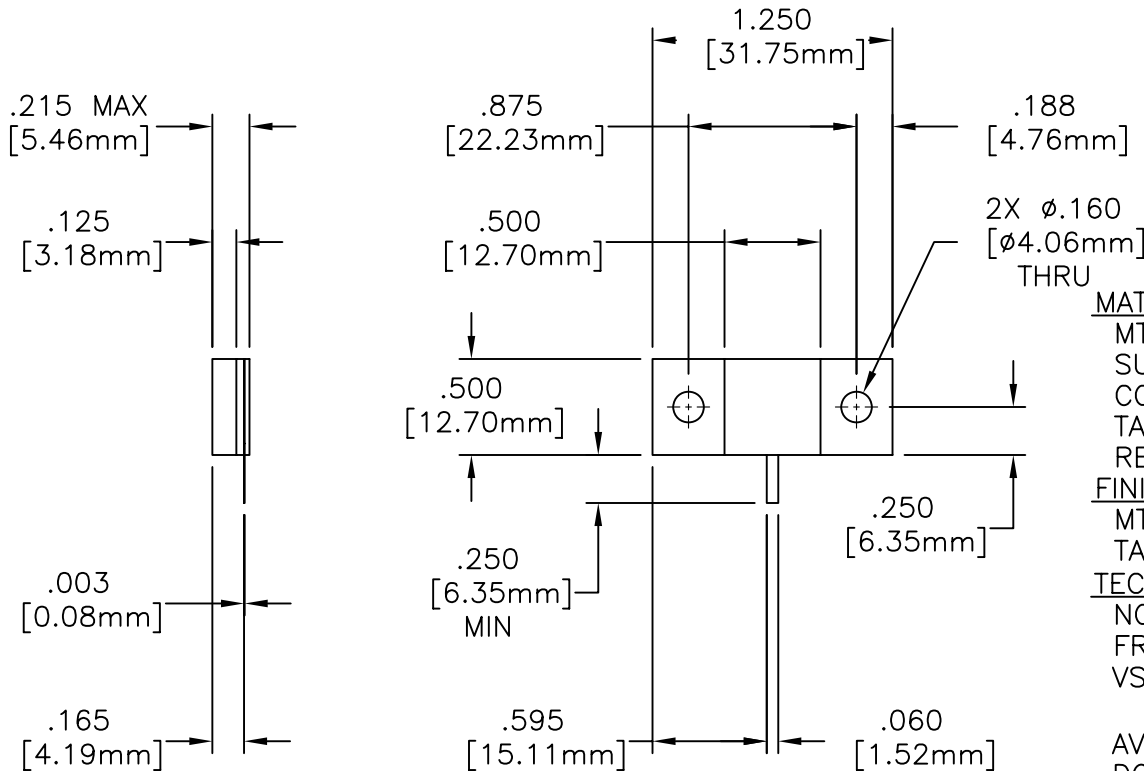
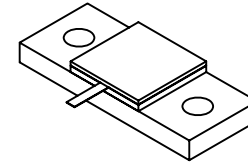
CAD#32-1123H

DRAWING NO.:

32-1123

REV.

H



MATERIALS:


MTG. FLANGE: COPPER PER ASTM B301
SUBSTRATE: BERYLLIUM OXIDE
COVER: ALUMINA
TAB: BERYLLIUM COPPER PER ASTM B194
RESISTIVE FILM: NICHROME

FINISH:

MTG. FLANGE: NICKEL PER QQ-N-290
TAB: TIN PER MIL-T-10727

TECHNICAL:

NOMINAL IMPEDANCE: 50 OHMS
FREQUENCY RANGE: DC-2.0 GHz
VSWR (MAX): 1.15:1 DC-1.0 GHz
1.55:1 1.0-2.0 GHz
AVERAGE POWER: 350 WATTS
DC RESISTANCE: 50 OHMS ± 5%
TEMPERATURE COEFFICIENT: ± 200 PPM/°C MAX
OPERATING TEMPERATURE: -55° TO +150° °C

				RLSE# 02100	APVD MTG	DATE 02/25/97	REFERENCE	 8851 OLD KANSAS AVE. STUART, FL. 34997 772-286-9300						
H	EN#05-F0750	AWM 12/6/05		UNLESS OTHERWISE SPECIFIED 1. DO NOT SCALE DRAWING 2. DIMENSIONS ARE IN INCHES 3. DIMENSIONS ARE AFTER PLATING 4. CORNERS, EDGES AND FILLETS: R MAX 5. SURFACE ROUGHNESS: 6. REMOVE ALL BURRS TOLERANCES .X ± .XX ± .XXX ± ANGLES X° ±			CATALOG	TITLE TERMINATION, FLANGE MOUNT, 350 WATT						
F	ECN#01262	BLP 02/12/02	DR 02/12/02				MATERIAL				-			
E	ECN# N/A	-	-				FINISH				-			
D	ECN# N/A	-	-				SCALE				CAGE CODE ID NO.	SIZE	DRAWING NO.:	REV.
C	ECN# N/A	-	-				1/1				2Y194	A	32-1123	H
B	ECN# N/A	-	-	THE INFORMATION CONTAINED HEREIN IS: (A) CONSIDERED PROPRIETARY TO FLORIDA RF LABS INC.; (B) PROTECTED BY COPYRIGHT OWNED BY FLORIDA RF LABS INC.; (C) CONSIDERED A "WORK FOR HIRE" UNDER COPYRIGHT LAW; (D) PROTECTED BY TRADE SECRET LAWS WHICH MAKE ILLEGAL THE MISAPPROPRIATION OF THIS INFORMATION; AND (E) IS TO BE USED SOLELY FOR THE PURPOSE WHICH IT IS SUPPLIED. THIS INFORMATION SHALL NOT BE DISCLOSED IN WHOLE OR IN PART, TO ANY PARTY, FOR ANY REASON WITHOUT THE EXPRESS WRITTEN CONSENT OF A QUALIFIED EXECUTIVE OF FLORIDA RF LABS INC.			MFG:	MTG 02/25/97	CHKD.:	GEC 02/25/97	DRAWN:	PSC 02/20/97	SHEET	OF
A	DCN#0592	GEC 07/23/97	MTG 07/25/97											
REV.	DESCRIPTION	DRAWN	APVD.											