

EDD

NOTES:  
UNLESS OTHERWISE SPECIFIED, TOLERANCES ARE  $\pm .010$ " [.254mm].

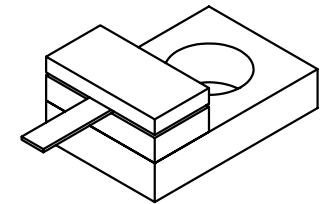
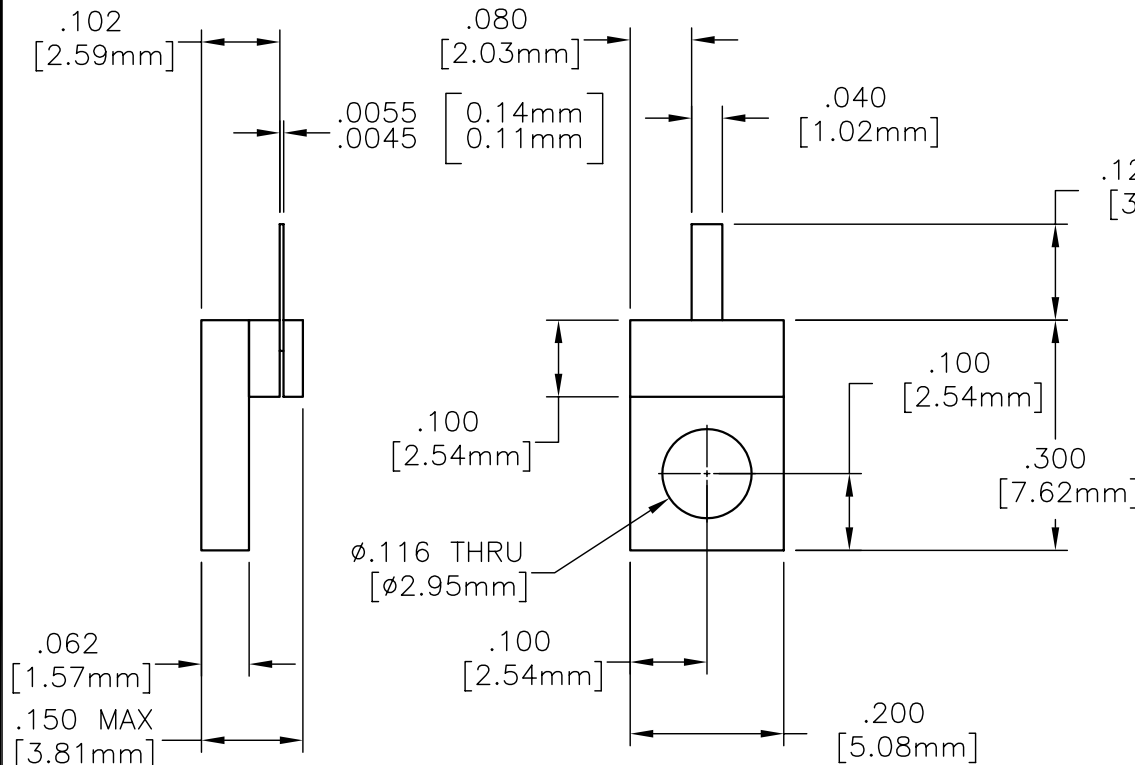
CAD#32-1137E

DRAWING NO.:

32-1137

REV.

E



MATERIALS:


BASE: COPPER PER ASTM B152  
SUBSTRATE: BERYLLIUM OXIDE  
COVER: ALUMINA  
TAB: BERYLLIUM COPPER PER QQ-C-533  
RESISTIVE FILM: NICHROME

FINISH:

MTG. FLANGE: NICKEL PER QQ-N-290  
TAB: TIN PER MIL-T-10727

TECHNICAL:

NOMINAL IMPEDANCE (OHMS): 50  
FREQUENCY RANGE (GHz): DC-18.0  
TEMPERATURE COEFFICIENT:  $\pm 200$  PPM/ $^{\circ}$ C MAX  
OPERATING TEMPERATURE ( $^{\circ}$ C):  $-55^{\circ}$  TO  $+150^{\circ}$   
VSWR (MAX): 1.35:1 DC-15.0 GHz  
1.50:1 15-18 GHz  
AVERAGE POWER (WATTS): 10  
DC RESISTANCE: 50 OHMS  $\pm 5\%$

				ECN# N/A	APVD	DATE	REFERENCE	 8851 OLD KANSAS AVE. STUART, FL. 34997 772-286-9300			
				UNLESS OTHERWISE SPECIFIED 1. DO NOT SCALE DRAWING 2. DIMENSIONS ARE IN INCHES 3. DIMENSIONS ARE AFTER PLATING 4. CORNERS, EDGES AND FILLETS: R 5. SURFACE ROUGHNESS: 6. REMOVE ALL BURRS			MATERIAL		TITLE		
				TOLERANCES .X $\pm$ .XX $\pm$ .XXX $\pm$ ANGLES X' $\pm$			FINISH		TERMINATION, FLANGE MOUNT 10 WATT		
E	ECN#01706	ALM 10/10/02		THE INFORMATION CONTAINED HEREIN IS: (A) CONSIDERED PROPRIETARY TO FLORIDA RF LABS INC.; (B) PROTECTED BY COPYRIGHT OWNED BY FLORIDA RF LABS INC.; (C) CONSIDERED A "WORK FOR HIRE" UNDER COPYRIGHT LAW; (D) PROTECTED BY TRADE SECRET LAWS WHICH MAKE ILLEGAL THE MISAPPROPRIATION OF THIS INFORMATION; AND (E) IS TO BE USED SOLELY FOR THE PURPOSE WHICH IT IS SUPPLIED. THIS INFORMATION SHALL NOT BE DISCLOSED IN WHOLE OR IN PART, TO ANY PARTY, FOR ANY REASON WITHOUT THE EXPRESS WRITTEN CONSENT OF A QUALIFIED EXECUTIVE OF FLORIDA RF LABS INC.			SCALE	CAGE CODE ID NO.	SIZE	DRAWING NO.:	REV.
D	ECN#01556	PSC 07/25/02	DR 08/06/02				4/1	2Y194	A	32-1137	E
REV.	DESCRIPTION	DRAWN	APVD.				MFG:	CHKD.:	DRAWN:	SHEET	OF