

EDD

NOTES:  
UNLESS OTHERWISE SPECIFIED, TOLERANCES ARE  $\pm .010$ " [.254mm].

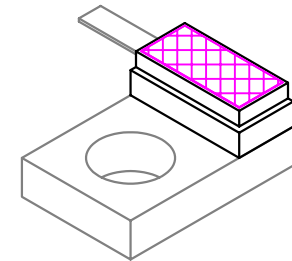
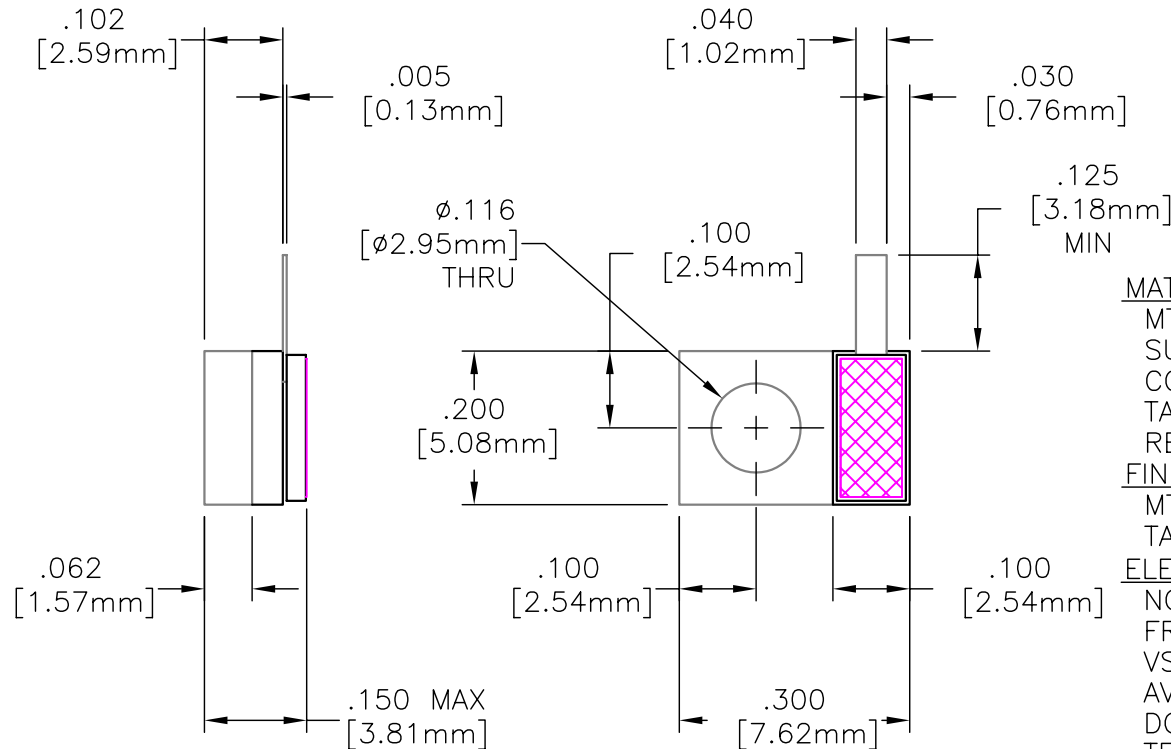
CAD#32-1177\_B

DRAWING NO.:

32-1177

REV.

B



MATERIALS:


MTG. FLANGE: OFHC 1/4 HD  
SUBSTRATE: BERYLLIUM OXIDE  
COVER: ALUMINA  
TAB: BERYLLIUM COPPER PER ASTM B194  
RESISTIVE FILM: NICHROME

FINISH:

MTG. FLANGE: NICKEL OVER COPPER  
TAB: TIN/LEAD PER MIL-T-10727

ELECTRICAL: (TERMINATION)

NOMINAL IMPEDANCE: 50 OHMS  
FREQUENCY RANGE: DC-2.0 GHz  
VSWR (MAX): 1.20:1  
AVERAGE POWER: 20 WATTS  
DC RESISTANCE: 50.0  $\pm$  5% OHMS  
TEMPERATURE COEFFICIENT:  $\pm$  200 PPM/ $^{\circ}$ C MAX  
OPERATING TEMPERATURE: -55 $^{\circ}$  TO +150 $^{\circ}$  ( $^{\circ}$ C)

				RLSE# 02595	APVD MTG	DATE 01/14/99	REFERENCE	 8851 OLD KANSAS AVE. STUART, FL. 34997 772-286-9300			
				UNLESS OTHERWISE SPECIFIED 1. DO NOT SCALE DRAWING 2. DIMENSIONS ARE IN INCHES 3. DIMENSIONS ARE AFTER PLATING 4. CORNERS, EDGES AND FILLETS: R MAX 5. SURFACE ROUGHNESS: 6. REMOVE ALL BURRS  TOLERANCES .X $\pm$ .XX $\pm$ .XXX $\pm$ ANGLES X $^{\circ}$ $\pm$			CATALOG	TITLE <b>TERMINATION, FLANGE MOUNT, 20 WATT</b>			
			MATERIAL				-				
			FINISH				-				
B	ECN#01329	BLP 04/26/02	DR 04/29/02	THE INFORMATION CONTAINED HEREIN IS: (A) CONSIDERED PROPRIETARY TO FLORIDA RF LABS INC.; (B) PROTECTED BY COPYRIGHT OWNED BY FLORIDA RF LABS INC.; (C) CONSIDERED A "WORK FOR HIRE" UNDER COPYRIGHT LAW; (D) PROTECTED BY TRADE SECRET LAWS WHICH MAKE ILLEGAL THE MISAPPROPRIATION OF THIS INFORMATION; AND (E) IS TO BE USED SOLELY FOR THE PURPOSE WHICH IT IS SUPPLIED. THIS INFORMATION SHALL NOT BE DISCLOSED IN WHOLE OR IN PART, TO ANY PARTY, FOR ANY REASON WITHOUT THE EXPRESS WRITTEN CONSENT OF A QUALIFIED EXECUTIVE OF FLORIDA RF LABS INC.			SCALE	CAGE CODE ID NO.	SIZE	DRAWING NO.:	REV.
A	ECN# N/A	-	-				4/1	2Y194	A	32-1177	B
REV.	DESCRIPTION	DRAWN	APVD.	MFG:	CHKD.:	DRAWN:	SHEET	OF			
				01/14/98	NAK 01/13/99	BLP 04/14/02					