

ORIGINAL

CAD#32-1198\_1

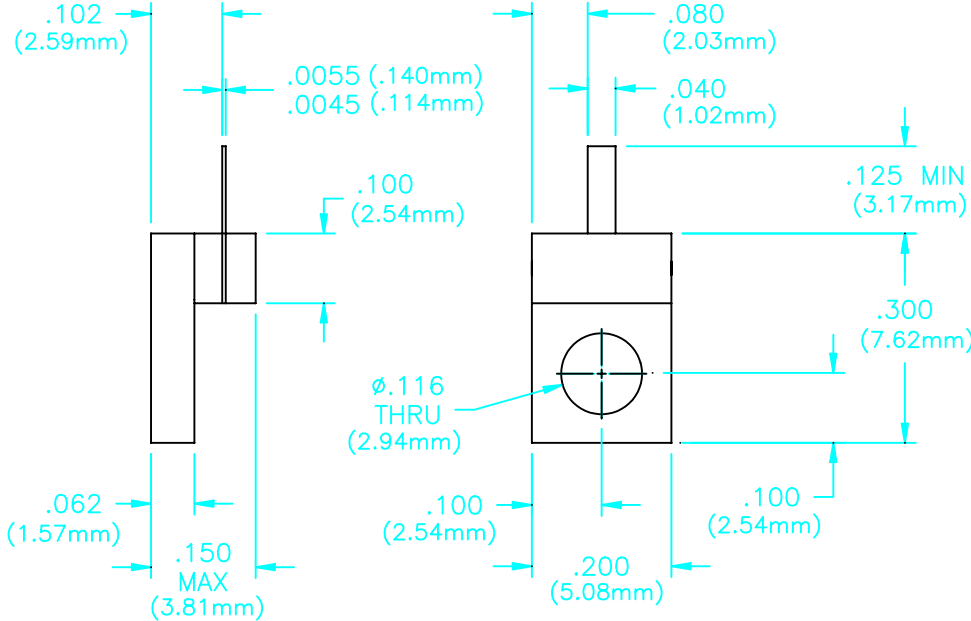
DRAWING NO.:

32-1198

REV.


N/C

1. UNLESS OTHERWISE SPECIFIED TOLERANCES TO BE ±.010



MATERIALS:  
 MTG. FLANGE: COPPER PER ASTM B152  
 SUBSTRATE: BERYLLIUM OXIDE  
 COVER: ALUMINA OXIDE  
 TAB: BERYLLIUM COPPER PER QQ-C-533  
 RESISTIVE FILM: NICHROME

FINISH:  
 MTG. FLANGE: NICKEL PER QQ-N-290  
 TAB: TIN PER MIL-T-10727

				ECN#: 00590	APVD	DATE	REFERENCE	 P.O. BOX 899 STUART, FL. 34995			
				UNLESS OTHERWISE SPECIFIED 1. DO NOT SCALE DRAWING 2. DIMENSIONS ARE IN INCHES 3. DIMENSIONS ARE AFTER PLATING 4. CORNERS, EDGES AND FILLETS: R MAX 5. SURFACE ROUGHNESS: 63 6. REMOVE ALL BURRS			MATERIAL	TITLE			
				TOLERANCES .X ± .XX ± .XXX ± ANGLES X° ±			FINISH	TERMINATION FLANGE MOUNT 10 WATT			
				THE INFORMATION CONTAINED HEREIN IS PROPRIETARY TO FLORIDA RF LABS, INC. AND IS TO BE USED SOLELY FOR THE PURPOSE WHICH IT IS SUPPLIED. IT SHALL NOT BE DISCLOSED IN WHOLE OR IN PART, TO ANY OTHER PARTY, WITHOUT THE EXPRESS PERMISSION IN WRITING BY FLORIDA RF LABS, INC.			SCALE	CAGE CODE ID NO.	SIZE	DRAWING NO.:	REV.
							4/1	2Y194	A	32-1198	N/C
REV.	DESCRIPTION	DRAWN	APVD.	APVD.:			CHKD.:		DRAWN: PSC 03/20/01	SHEET OF	

CAD#32-1198\_3

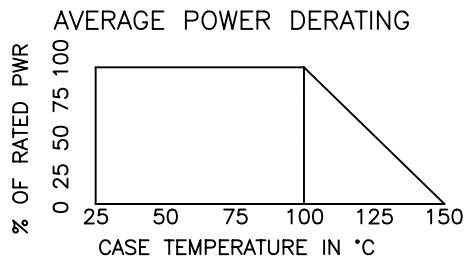
DRAWING NO.

32-1198

REV

N/C

REQUIREMENTS	RATING	REQUIREMENTS	RATING
NOMINAL IMPEDANCE (OHMS)	50	VIBRATION	MIL-STD-202 METHOD 204 COND. D (20 G's)
FREQUENCY RANGE (GHz)	DC - 6.0		
TEMPERATURE COEFFICIENT	LESS THAN 200 PPM	SHOCK	MIL-STD-202 METHOD 213 COND. I (100 G's)
OPERATING TEMPERATURE (°C)	-55 TO +150		
VSWR (MAX)	1.25:1	THERMAL SHOCK	MIL-STD-202 METHOD 107 COND. B (-65 TO +125 °C)
AVERAGE POWER (WATTS)	10		
DC RESISTANCE	50 OHMS ±5%	TERMINAL STRENGTH	MIL-STD-202 METHOD 211 COND. A
		MOISTURE RESISTANCE	MIL-STD-202 METHOD 106 LESS STEP 7B



SOLDERABILITY

MIL-STD-202  
METHOD 208

RESISTANCE TO SOLDER HEAT

MIL-STD-202  
METHOD 210

TITLE **TERMINATION, FLANGE MOUNT  
10 WATT**



P.O. BOX 899  
STUART, FL. 34995

DRAWN -

SHEET 2 OF 2

DRAWING NO.

32-1198

REV

N/C