

EDD

NOTES:
UNLESS OTHERWISE SPECIFIED, TOLERANCES ARE ± .010" [.254mm].

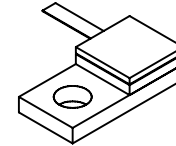
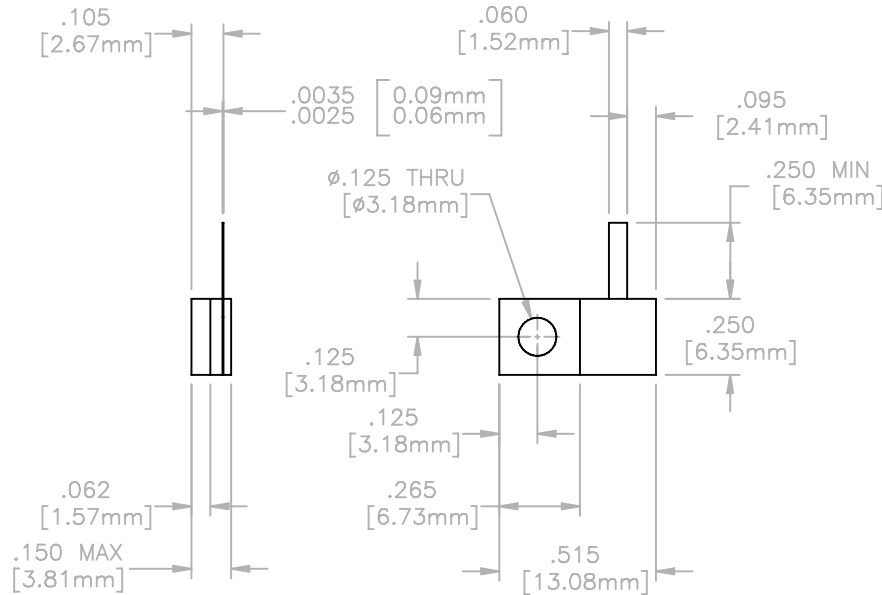
CAD#32A1051F

DRAWING NO.:

32A1051F

REV.

-



MATERIALS:


MTG. FLANGE: OFHC 1/4 HD
SUBSTRATE: BERYLLIUM OXIDE
COVER: ALUMINA
TAB: BERYLLIUM COPPER PER ASTM B194
RESISTIVE FILM: NICHROME

FINISH:

RoHS COMPLIANT
MTG. FLANGE: NICKEL OVER COPPER
TAB: SILVER PER QQ-S-365

TECHNICAL:

NOMINAL IMPEDANCE (OHMS): 50
FREQUENCY RANGE (GHz): DC-4.0
VSWR (MAX): 1.15:1 DC-2.0 GHz
1.25:1 2.0-4.0 GHz
AVERAGE POWER (WATTS): 30
DC RESISTANCE: 50 OHMS ± 5%
TEMPERATURE COEFFICIENT: ± 200 PPM/°C MAX
OPERATING TEMPERATURE (°C): -55° TO +150°

ECN# 06-F0567		APVD	DATE	REFERENCE	 <p>8851 OLD KANSAS AVE. STUART, FL. 34997 772-286-9300</p>			
<p>UNLESS OTHERWISE SPECIFIED</p> <ol style="list-style-type: none"> DO NOT SCALE DRAWING DIMENSIONS ARE IN INCHES DIMENSIONS ARE AFTER PLATING CORNERS, EDGES AND FILLETS: R SURFACE ROUGHNESS REMOVE ALL BURRS 				MATERIAL		<p>TITLE</p> <p>TERMINATION, FLANGE MOUNT, 30 WATT</p>		
<p>TOLERANCES</p> <p>.X ±</p> <p>.XX ±</p> <p>.XXX ±</p> <p>ANGLES X° ±</p>				FINISH				
<p>THE INFORMATION CONTAINED HEREIN IS: (A) CONSIDERED PROPRIETARY TO FLORIDA RF LABS INC.; (B) PROTECTED BY COPYRIGHT OWNED BY FLORIDA RF LABS INC.; (C) CONSIDERED A "WORK FOR HIRE" UNDER COPYRIGHT LAW; (D) PROTECTED BY TRADE SECRET LAWS WHICH MAKE ILLEGAL THE MISAPPROPRIATION OF THIS INFORMATION; AND (E) IS TO BE USED SOLELY FOR THE PURPOSE WHICH IT IS SUPPLIED. THIS INFORMATION SHALL NOT BE DISCLOSED IN WHOLE OR IN PART, TO ANY PARTY, FOR ANY REASON WITHOUT THE EXPRESS WRITTEN CONSENT OF A QUALIFIED EXECUTIVE OF FLORIDA RF LABS INC.</p>				SCALE	CAGE CODE ID NO.	SIZE	DRAWING NO.:	REV.
				2/1	2Y194	A	32A1051F	-
REV.	DESCRIPTION	DRAWN	APVD.	MFG:	CHKD.: DAR 7/6/06	DRAWN: JAP 7/6/06	SHEET	OF