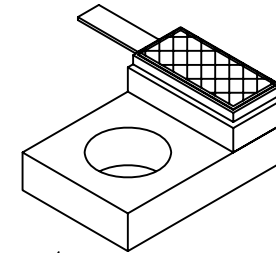
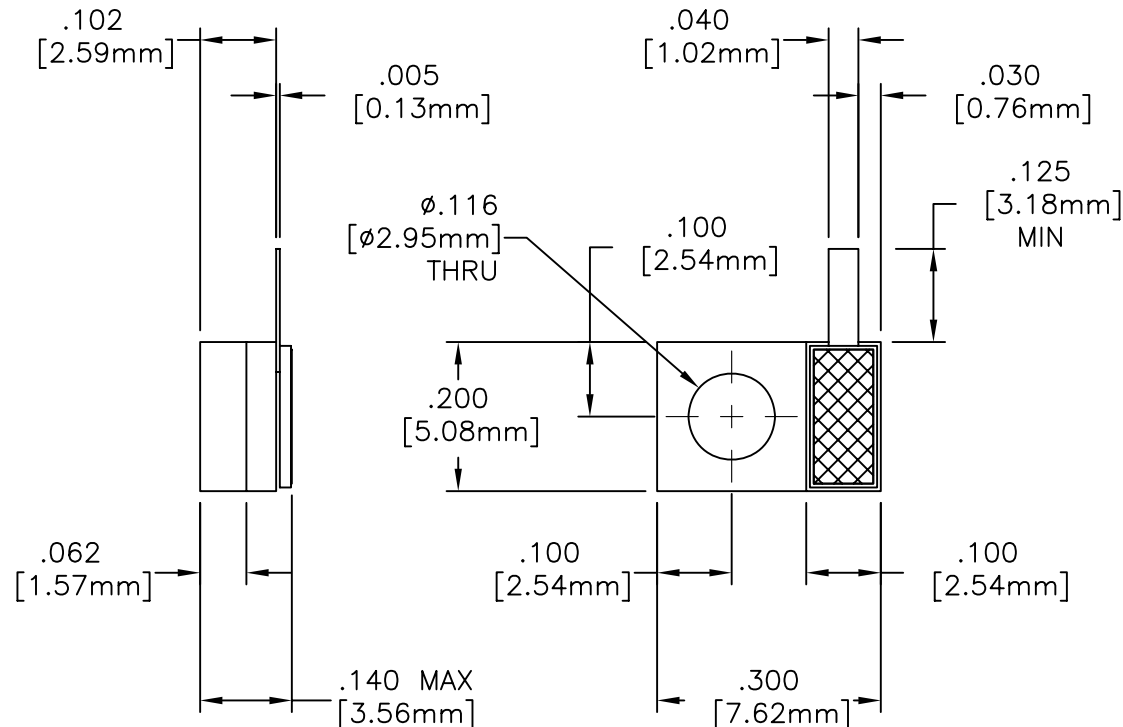


# EDD

NOTES:  
UNLESS OTHERWISE SPECIFIED, TOLERANCES ARE  $\pm .010$ " [0.254mm].

DRAWING NO.:  
**32A1111F**

REV.  
-



**MATERIALS:**


FLANGE: COPPER 1/4 HD  
SUBSTRATE: BERYLLIUM OXIDE  
COVER: ALUMINA  
TAB: BERYLLIUM COPPER PER ASTM B194  
RESISTIVE FILM: THIN FILM

**FINISH:**

RoHS COMPLIANT  
FLANGE: NICKEL OVER COPPER  
TAB: SILVER PLATED

**ELECTRICAL:**

NOMINAL IMPEDANCE: 50 OHMS  
FREQUENCY RANGE: DC-10.0 GHz  
VSWR (MAX): 1.12:1 DC-4.0  
1.40:1 4.0-10  
AVERAGE POWER: 10 WATTS  
DC RESISTANCE:  $50 \pm 5\%$  OHMS  
TEMPERATURE COEFFICIENT:  $\pm 200$  PPM  
OPERATING TEMPERATURE:  $-55^{\circ}\text{C}$  TO  $+150^{\circ}\text{C}$

				EN# 06-F0824	APVD -	DATE -	REFERENCE		 8851 OLD KANSAS AVE. STUART, FL. 34997 772-286-9300		
				UNLESS OTHERWISE SPECIFIED 1. DO NOT SCALE DRAWING 2. DIMENSIONS ARE IN INCHES 3. DIMENSIONS ARE AFTER PLATING 4. CORNERS, EDGES AND FILLETS: R MAX 5. SURFACE ROUGHNESS: 6. REMOVE ALL BURRS TOLERANCES .X $\pm$ .XX $\pm$ ANGLES X° $\pm$ .XXX $\pm$			CATALOG		TITLE		
							MATERIAL -		TERMINATION, FLANGE MOUNT, 10 WATT		
							FINISH -				
				THE INFORMATION CONTAINED HEREIN IS: (A) CONSIDERED PROPRIETARY TO FLORIDA RF LABS INC.; (B) PROTECTED BY COPYRIGHT OWNED BY FLORIDA RF LABS INC.; (C) CONSIDERED A "WORK FOR HIRE" UNDER COPYRIGHT LAW; (D) PROTECTED BY TRADE SECRET LAWS WHICH MAKE ILLEGAL THE MISAPPROPRIATION OF THIS INFORMATION; AND (E) IS TO BE USED SOLELY FOR THE PURPOSE WHICH IT IS SUPPLIED. THIS INFORMATION SHALL NOT BE DISCLOSED IN WHOLE OR IN PART, TO ANY PARTY, FOR ANY REASON WITHOUT THE EXPRESS WRITTEN CONSENT OF A QUALIFIED EXECUTIVE OF FLORIDA RF LABS INC.			SCALE	CAGE CODE ID NO.	SIZE	DRAWING NO.:	REV.
							4/1	2Y194	A	32A1111F	-
REV.	DESCRIPTION	DRAWN	APVD.	MFG: =			CHKD.: =	DRAWN: AM 9/22/06	SHEET OF		