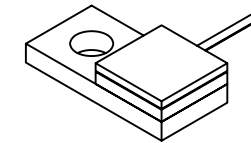
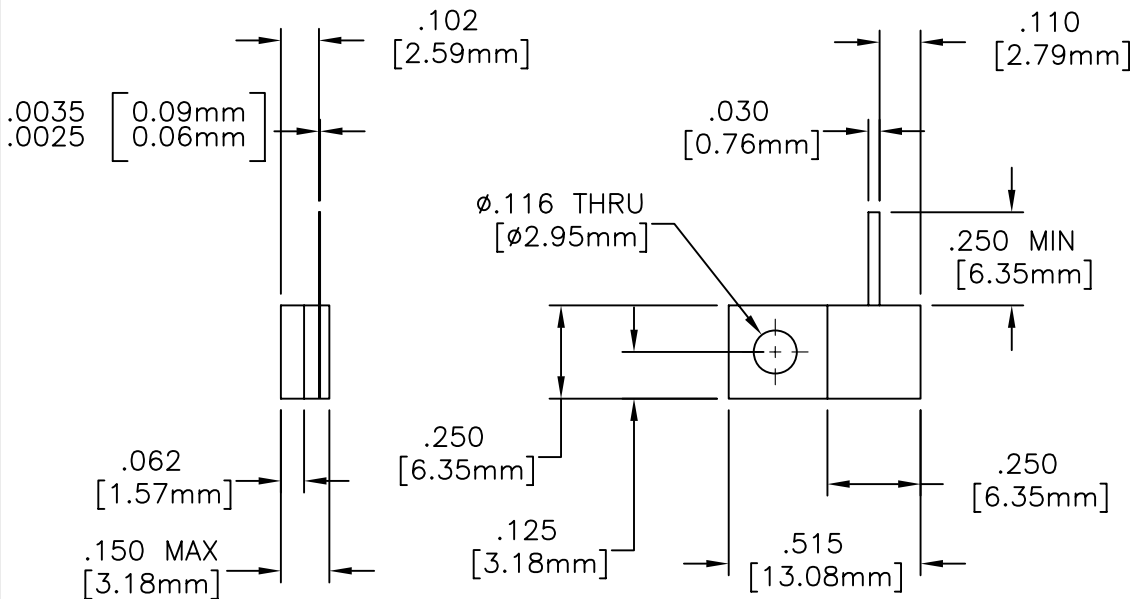


# EDD

NOTES:  
UNLESS OTHERWISE SPECIFIED, TOLERANCES ARE  $\pm .010"$  [.254mm].

DRAWING NO.:  
**32A7164F**

REV.  
-



**MATERIALS:**


FLANGE: COPPER 1/4 HD  
SUBSTRATE: ALUMINUM NITRATE  
COVER: ALUMINA  
TAB: BERYLLIUM COPPER PER ASTM B194  
RESISTIVE FILM: THIN FILM

**FINISH:**

RoHS COMPLIANT  
FLANGE: NICKEL OVER COPPER  
TAB: SILVER PLATED

**ELECTRICAL:**

NOMINAL IMPEDANCE: 50 OHMS  
FREQUENCY RANGE: DC-4.0 GHz  
VSWR (MAX): 1.08:1 DC-2.0 GHz  
1.20:1 2.0-4.0 GHz  
AVERAGE POWER: 100 WATTS  
DC RESISTANCE: 50  $\pm$  5% OHMS  
TEMPERATURE COEFFICIENT:  $\pm$  200 PPM  
OPERATING TEMPERATURE: -55°C TO +150°C

				EN# 06-F0826	APVD -	DATE -	REFERENCE -		 8851 OLD KANSAS AVE. STUART, FL. 34997 561-286-9300		
				UNLESS OTHERWISE SPECIFIED 1. DO NOT SCALE DRAWING 2. DIMENSIONS ARE IN INCHES 3. DIMENSIONS ARE AFTER PLATING 4. CORNERS, EDGES AND FILLETS: R MAX 5. SURFACE ROUGHNESS: 6. REMOVE ALL BURRS			MATERIAL -			<b>TITLE</b> <b>TERMINATION, FLANGE MOUNT, 100 WATT</b>	
				TOLERANCES .X $\pm$ .XX $\pm$ .XXX $\pm$ ANGLES X° $\pm$			FINISH -				
				THE INFORMATION CONTAINED HEREIN IS: (A) CONSIDERED PROPRIETARY TO FLORIDA RF LABS INC.; (B) PROTECTED BY COPYRIGHT OWNED BY FLORIDA RF LABS INC.; (C) CONSIDERED A "WORK FOR HIRE" UNDER COPYRIGHT LAW; (D) PROTECTED BY TRADE SECRET LAWS WHICH MAKE ILLEGAL THE MISAPPROPRIATION OF THIS INFORMATION; AND (E) IS TO BE USED SOLELY FOR THE PURPOSE WHICH IT IS SUPPLIED. THIS INFORMATION SHALL NOT BE DISCLOSED IN WHOLE OR IN PART, TO ANY PARTY, FOR ANY REASON WITHOUT THE EXPRESS WRITTEN CONSENT OF A QUALIFIED EXECUTIVE OF FLORIDA RF LABS INC.			SCALE 2/1	CAGE CODE ID NO. 2Y194	SIZE A	DRAWING NO.: 32A7164F	REV. -
REV.	DESCRIPTION	DRAWN	APVD.				MFG:	CHKD.:	DRAWN: AM 9/22/06	SHEET OF	