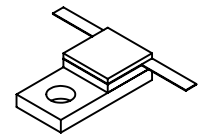
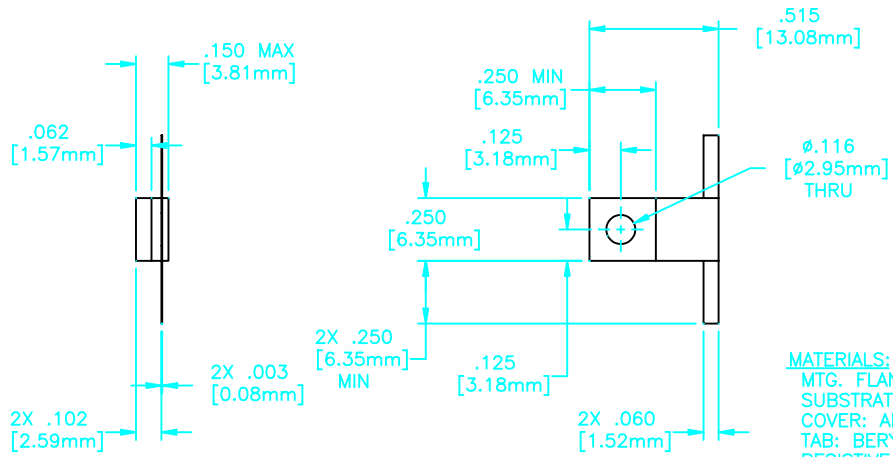


EDD

NOTES:
UNLESS OTHERWISE SPECIFIED, TOLERANCES ARE ± .010" [.254mm].

CAD#33-1001#_LP

DRAWING NO.:	REV.
33-1001-*	P




MATERIALS:
 MTG. FLANGE: COPPER PER ASTM B301
 SUBSTRATE: BERYLLIUM OXIDE
 COVER: ALUMINA
 TAB: BERYLLIUM COPPER PER ASTM B194
 RESISTIVE FILM: NICHROME
FINISH:
 MTG. FLANGE: NICKEL PER QQ-N-290
 TAB: TIN PLATED PER MIL-T-10727

P	ECN#01714	ALM 10/25/02	
N	ECN#01060	BLP 10/16/01	NAK 10/17/01
REV.	DESCRIPTION	DRAWN	APVD.

ECN#	-	APVD	DATE
UNLESS OTHERWISE SPECIFIED			
1. DO NOT SCALE DRAWING			
2. DIMENSIONS ARE IN INCHES			
3. DIMENSIONS ARE AFTER PLATING			
4. CORNERS, EDGES AND FILLETS: R			
5. SURFACE ROUGHNESS: R			
6. REMOVE ALL BURRS			
TOLERANCES			
X	±		
.XX	±		
.XXX	±		
		ANGLES X' ±	
THE INFORMATION CONTAINED HEREIN IS: (A) CONSIDERED PROPRIETARY TO FLORIDA RF LABS INC.; (B) PROTECTED BY COPYRIGHT OWNED BY FLORIDA RF LABS INC.; (C) CONSIDERED A "WORK FOR HIRE" UNDER COPYRIGHT LAW; (D) PROTECTED BY TRADE SECRET LAWS WHICH MAKE ILLEGAL THE MISAPPROPRIATION OF THIS INFORMATION; AND (E) IS TO BE USED SOLELY FOR THE PURPOSE WHICH IT IS SUPPLIED. THIS INFORMATION SHALL NOT BE DISCLOSED IN WHOLE OR IN PART, TO ANY PARTY, FOR ANY REASON WITHOUT THE EXPRESS WRITTEN CONSENT OF A QUALIFIED EXECUTIVE OF FLORIDA RF LABS INC.			

REFERENCE	CATALOG
MATERIAL	-
FINISH	-
SCALE	2/1
CAGE CODE ID NO.	2Y194
SIZE	A
MFG:	
CHKD.:	

	8851 OLD KANSAS AVE. STUART, FL. 34997 561-286-9300
TITLE	ATTENUATOR, FLANGE MOUNT, 20 WATT, - * = dB
DRAWING NO.:	33-1001-*
REV.	P
DRAWN:	BLP 10/16/01
SHEET	1 OF 2

EDD

CAD#33-1001N

DRAWING NO.

33-1001-*

REV

N

REQUIREMENTS	RATING	REQUIREMENTS	RATING
NOMINAL IMPEDANCE (OHMS)	50	VIBRATION	MIL-STD-202 METHOD 204 COND. D (20 G's)
FREQUENCY RANGE (GHz)	DC-4.0		
OPERATING TEMPERATURE (°C)	-55° TO +150°	SHOCK	MIL-STD-202 METHOD 213 COND. I (100 G's)
VSWR	1.15:1 DC-2.0 1.50:1 2.0-4.0		
*ATTENUATION ACCURACY	1-10 dB ± 0.5 dB 11-20 dB ± 1.0 dB	THERMAL SHOCK	MIL-STD-202 METHOD 107 COND. B (-65 TO +125 °C)
ATTENUATION STABILITY	.0001 dB/dB/°C		
INPUT POWER (WATTS)	20	TERMINAL STRENGTH	MIL-STD-202 METHOD 211 COND. A
		MOISTURE RESISTANCE	MIL-STD-202 METHOD 106 LESS STEP 7B
<p>AVERAGE POWER DERATING</p> <p>100 75 50 25 0</p> <p>25 85 150</p> <p>% OF RATED PWR</p> <p>CASE TEMPERATURE IN °C</p>		SOLDERABILITY	MIL-STD-202 METHOD 208

TITLE ATTENUATOR, FLANGE MOUNT,
20 WATT, -* = dB



8851 OLD KANSAS AVE.
STUART, FL. 34997
561-286-9300

DRAWN

-

SHEET 2 OF 2

DRAWING NO.

33-1001-*

REV

N