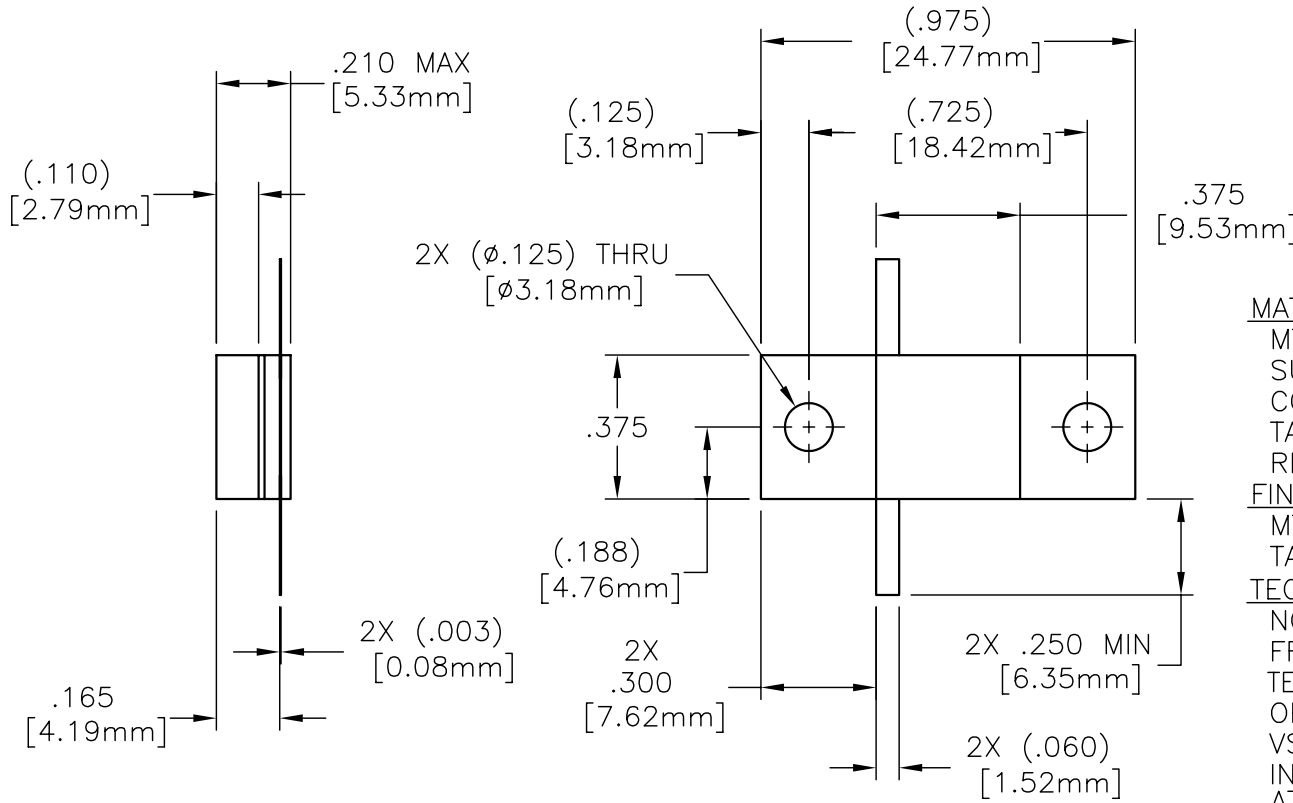


EDD

NOTES:
1. UNLESS OTHERWISE SPECIFIED, TOLERANCES ARE $\pm .010$ " [.254mm].

CAD#33-1006_H DRAWING NO.: **33-1006-*** REV. **H**



MATERIALS:


MTG. FLANGE: OFHC (1/4 HD)
SUBSTRATE: BERYLLIUM OXIDE
COVER: ALUMINA
TAB: BERYLLIUM COPPER
RESISTIVE FILM: NICHROME

FINISH:

MTG. FLANGE: NICKEL OVER COPPER
TAB: GOLD PER MIL-G-45204

TECHNICAL: (ATTENUATOR)

NOMINAL IMPEDANCE (OHMS): 50
FREQUENCY RANGE (GHz): DC-1.0
TEMPERATURE COEFFICIENT: ± 200 PPM MAX
OPERATING TEMP. ($^{\circ}$ C): -55° TO $+150^{\circ}$
VSWR (MAX): 1.50:1
INPUT POWER (WATTS): 150
ATTENUATION: 1-10 dB ± 0.5 dB
11-20 dB ± 1.5 dB

				ECN# 01930	APVD	DATE	REFERENCE	 8851 OLD KANSAS AVE. STUART, FL. 34997 772-286-9300
				UNLESS OTHERWISE SPECIFIED 1. DO NOT SCALE DRAWING 2. DIMENSIONS ARE IN INCHES 3. DIMENSIONS ARE AFTER PLATING 4. CORNERS, EDGES AND FILLETS: R MAX 5. SURFACE ROUGHNESS: 6. REMOVE ALL BURRS			CATALOG	
				TOLERANCES .X \pm .XX \pm .XXX \pm ANGLES X' \pm			MATERIAL	ATTENUATOR, FLANGE MOUNT, 150 WATT
				THE INFORMATION CONTAINED HEREIN IS: (A) CONSIDERED PROPRIETARY TO FLORIDA RF LABS INC.; (B) PROTECTED BY COPYRIGHT OWNED BY FLORIDA RF LABS INC.; (C) CONSIDERED A "WORK FOR HIRE" UNDER COPYRIGHT LAW; (D) PROTECTED BY TRADE SECRET LAWS WHICH MAKE ILLEGAL THE MISAPPROPRIATION OF THIS INFORMATION; AND (E) IS TO BE USED SOLELY FOR THE PURPOSE WHICH IT IS SUPPLIED. THIS INFORMATION SHALL NOT BE DISCLOSED IN WHOLE OR IN PART, TO ANY PARTY, FOR ANY REASON WITHOUT THE EXPRESS WRITTEN CONSENT OF A QUALIFIED EXECUTIVE OF FLORIDA RF LABS INC.			FINISH	
REV.	DESCRIPTION	DRAWN	APVD.	SCALE	CAGE CODE ID NO.	SIZE	DRAWING NO.:	REV.
				2/1	2Y194	A	33-1006-*	H
				MFG:	CHKD.:	DRAWN: ALM	03/04/03	SHEET OF