

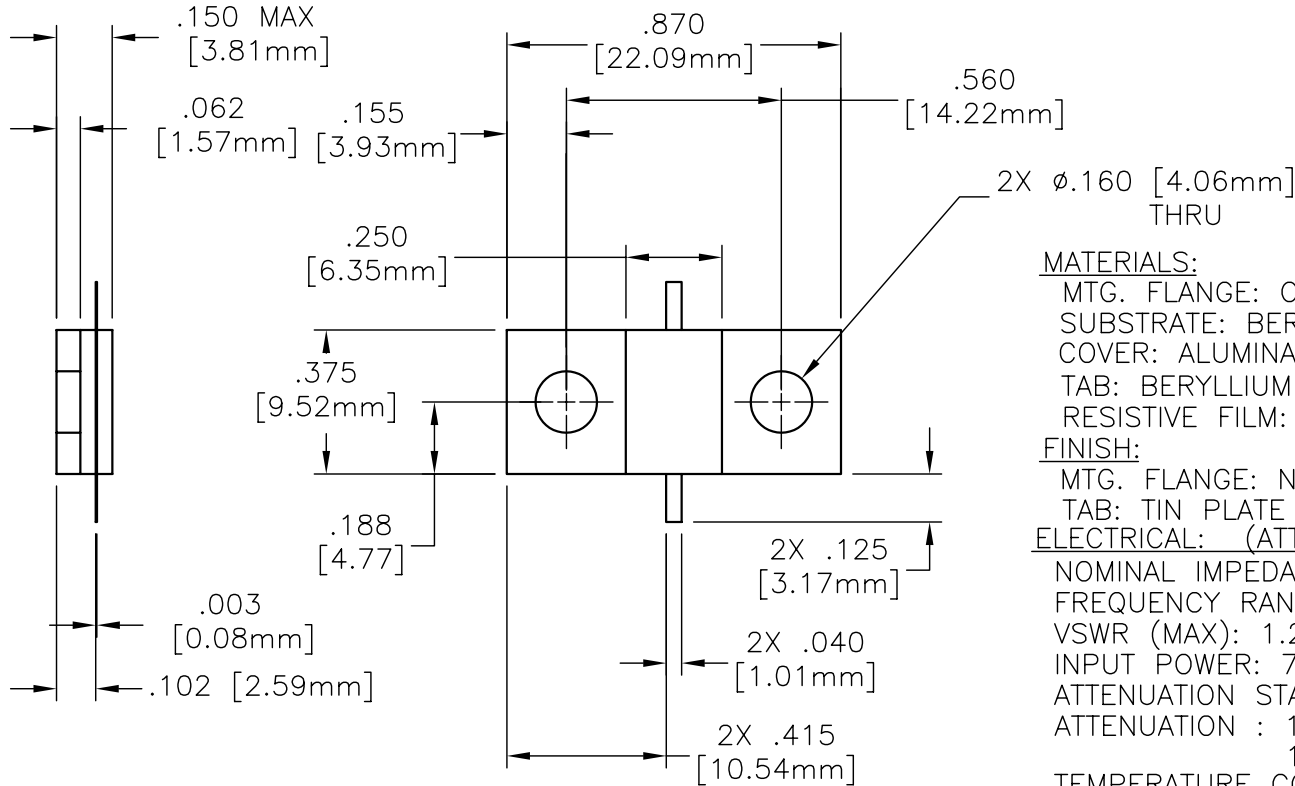
EDD

NOTES:
UNLESS OTHERWISE SPECIFIED, TOLERANCES ARE $\pm .010"$ [254mm].

CAD#33-1009-*C

DRAWING NO.:
33-1009-*

REV.
C



MATERIALS:


MTG. FLANGE: COPPER PER ASTM B152
SUBSTRATE: BERYLLIUM OXIDE
COVER: ALUMINA
TAB: BERYLLIUM COPPER PER ASTM B194
RESISTIVE FILM: NICHROME

FINISH:

MTG. FLANGE: NICKEL PER QQ-N-290
TAB: TIN PLATE PER MIL-T-10727

ELECTRICAL: (ATTENUATOR)

NOMINAL IMPEDANCE: 50 OHMS
FREQUENCY RANGE: DC-1.0 GHz
VSWR (MAX): 1.20:1
INPUT POWER: 75 WATTS
ATTENUATION STABILITY: .0001 dB/dB/°C
ATTENUATION : 1-10 $\pm .5$ dB
11-20 ± 1.0 dB
TEMPERATURE COEFFICIENT: ± 200 PPM MAX
OPERATING TEMPERATURE: -55° TO +150° (°C)

				EN# 04-F0164	APVD	DATE	REFERENCE	 8851 OLD KANSAS AVE. STUART, FL. 34997 772-286-9300			
				UNLESS OTHERWISE SPECIFIED 1. DO NOT SCALE DRAWING 2. DIMENSIONS ARE IN INCHES 3. DIMENSIONS ARE AFTER PLATING 4. CORNERS, EDGES AND FILLETS: R 5. SURFACE ROUGHNESS: 6. REMOVE ALL BURRS			MATERIAL	TITLE ATTENUATOR, FLANGE MOUNT, 75 WATT			
							FINISH				
				TOLERANCES .X \pm .XX \pm .XXX \pm ANGLES X° \pm							
				THE INFORMATION CONTAINED HEREIN IS: (A) CONSIDERED PROPRIETARY TO FLORIDA RF LABS INC.; (B) PROTECTED BY COPYRIGHT OWNED BY FLORIDA RF LABS INC.; (C) CONSIDERED A "WORK FOR HIRE" UNDER COPYRIGHT LAW; (D) PROTECTED BY TRADE SECRET LAWS WHICH MAKE ILLEGAL THE MISAPPROPRIATION OF THIS INFORMATION; AND (E) IS TO BE USED SOLELY FOR THE PURPOSE WHICH IT IS SUPPLIED. THIS INFORMATION SHALL NOT BE DISCLOSED IN WHOLE OR IN PART, TO ANY PARTY, FOR ANY REASON WITHOUT THE EXPRESS WRITTEN CONSENT OF A QUALIFIED EXECUTIVE OF FLORIDA RF LABS INC.			SCALE	CAGE CODE ID NO.	SIZE	DRAWING NO.:	REV.
									1/1	2Y194	A
REV.	DESCRIPTION	DRAWN	APVD.	MFG:		CHKD.:	DRAWN: AWM 05/04/04		SHEET	OF	