

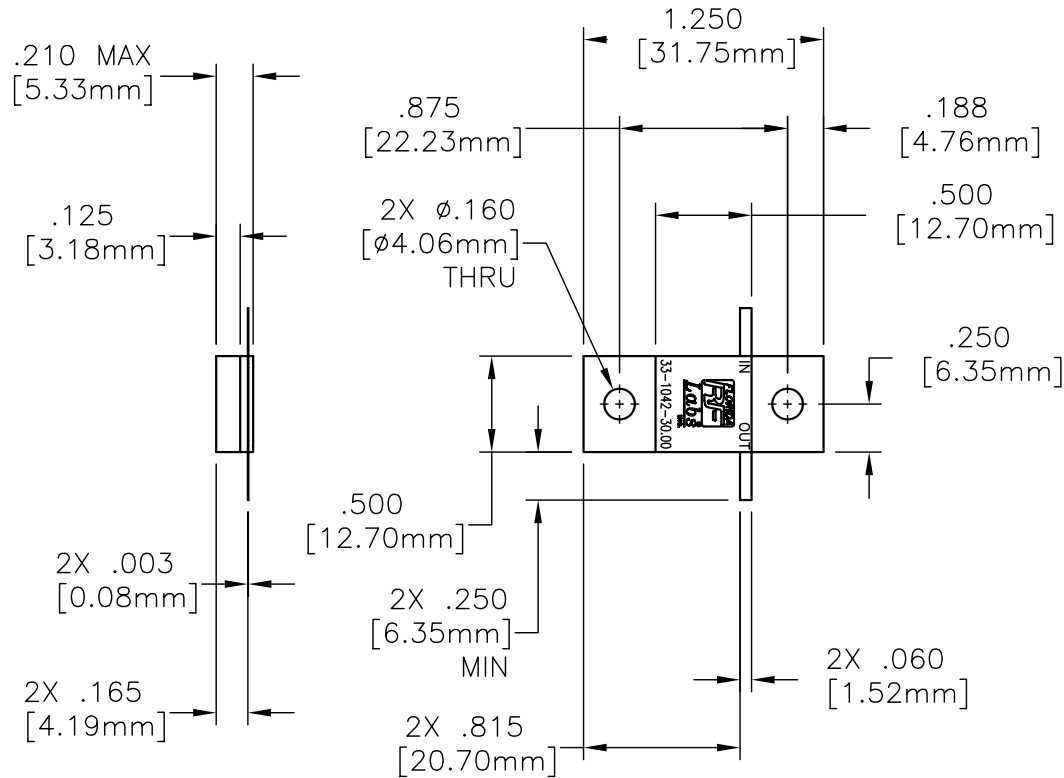
EDD

NOTES:
UNLESS OTHERWISE SPECIFIED, TOLERANCES ARE $\pm .010$ " [.254mm].

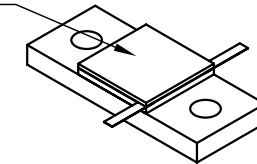
CAD#33-1042-30.00

DRAWING NO.:
33-1042-30.00

REV.
B



MARKING NOT SHOWN
IN THIS VIEW



MATERIALS:


MTG. FLANGE: COPPER PER ASTM B152
SUBSTRATE: BERYLLIUM OXIDE
COVER: ALUMINA OXIDE
TAB: BERYLLIUM COPPER PER ASTM B194
RESISTIVE FILM: FILM

FINISH:

MTG. FLANGE: NICKEL PER QQ-N-290
TAB: TIN PLATE PER MIL-T-10727

TECHNICAL:

NOMINAL IMPEDANCE (OHMS): 50
FREQUENCY RANGE (GHz): DC-1.0
TEMPERATURE COEFFICIENT: ± 200 PPM/ $^{\circ}$ C MAX
OPERATING TEMP. ($^{\circ}$ C): -55° TO $+150^{\circ}$
VSWR (MAX): 1.25:1
INPUT POWER (WATTS): 250
ATTENUATION STABILITY: .0001 dB/dB/ $^{\circ}$ C
ATTENUATION ACCURACY: ± 1.0 dB

				RLSE# 02485	APVD MTG	DATE 09/11/98	REFERENCE	-	 8851 OLD KANSAS AVE. STUART, FL. 34997 772-286-9300		
				UNLESS OTHERWISE SPECIFIED			MATERIAL	-		TITLE ATTENUATOR, FLANGE MOUNT, 250 WATT, 30.00dB	
				1. DO NOT SCALE DRAWING 2. DIMENSIONS ARE IN INCHES 3. DIMENSIONS ARE AFTER PLATING 4. CORNERS, EDGES AND FILLETS: R MAX 5. SURFACE ROUGHNESS: 6. REMOVE ALL BURRS			FINISH	-			
				TOLERANCES							
				.X \pm							
				.XX \pm	ANGLES X' \pm						
				.XXX \pm							
B	ECN#01429	BLP 07/11/02		THE INFORMATION CONTAINED HEREIN IS: (A) CONSIDERED PROPRIETARY TO FLORIDA RF LABS INC.; (B) PROTECTED BY COPYRIGHT OWNED BY FLORIDA RF LABS INC.; (C) CONSIDERED A "WORK FOR HIRE" UNDER COPYRIGHT LAW; (D) PROTECTED BY TRADE SECRET LAWS WHICH MAKE ILLEGAL THE MISAPPROPRIATION OF THIS INFORMATION; AND (E) IS TO BE USED SOLELY FOR THE PURPOSE WHICH IT IS SUPPLIED. THIS INFORMATION SHALL NOT BE DISCLOSED IN WHOLE OR IN PART, TO ANY PARTY, FOR ANY REASON WITHOUT THE EXPRESS WRITTEN CONSENT OF A QUALIFIED EXECUTIVE OF FLORIDA RF LABS INC.			SCALE	CAGE CODE ID NO.	SIZE	DRAWING NO.:	REV.
A	ECN# N/A	-	-				1/1	2Y194	A	33-1042-30.00	B
REV.	DESCRIPTION	DRAWN	APVD.				MFG: MJK 09/10/98	CHKD.: PSC 09/09/98	DRAWN: BLP 09/03/98	SHEET	OF