

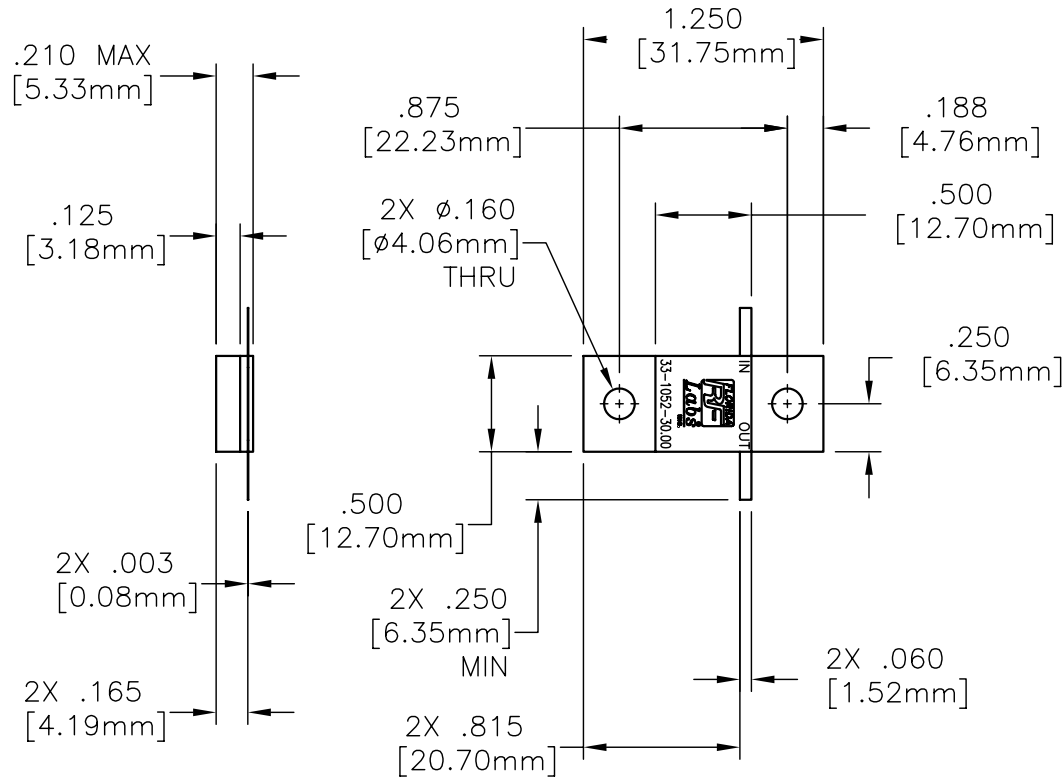
EDD

NOTES:
UNLESS OTHERWISE SPECIFIED, TOLERANCES ARE $\pm .010$ " [.254mm].

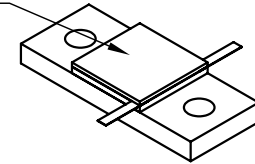
CAD#33-1052-30.00B

DRAWING NO.:
33-1052-30.00

REV.
N/C



MARKING NOT SHOWN
IN THIS VIEW



MATERIALS:


MTG. FLANGE: COPPER PER ASTM B152
SUBSTRATE: BERYLLIUM OXIDE
COVER: ALUMINA OXIDE
TAB: BERYLLIUM COPPER PER ASTM B194
RESISTIVE FILM: FILM

FINISH:

MTG. FLANGE: NICKEL PER QQ-N-290
TAB: TIN PLATE PER MIL-T-10727

TECHNICAL:

NOMINAL IMPEDANCE (OHMS): 50
FREQUENCY RANGE (MHz): 844-920
TEMPERATURE COEFFICIENT: ± 200 PPM/ $^{\circ}$ C MAX
OPERATING TEMP. ($^{\circ}$ C): -55° TO $+150^{\circ}$
VSWR (MAX): 1.25:1
INPUT POWER (WATTS): 250
ATTENUATION STABILITY: .0001 dB/dB/ $^{\circ}$ C
ATTENUATION ACCURACY: $\pm .5$ dB

				RLSE# 01653	APVD	DATE	REFERENCE	 8851 OLD KANSAS AVE. STUART, FL. 34997 772-286-9300			
UNLESS OTHERWISE SPECIFIED 1. DO NOT SCALE DRAWING 2. DIMENSIONS ARE IN INCHES 3. DIMENSIONS ARE AFTER PLATING 4. CORNERS, EDGES AND FILLETS: R MAX 5. SURFACE ROUGHNESS: 6. REMOVE ALL BURRS							MATERIAL		TITLE ATTENUATOR, FLANGE MOUNT, 250 WATT, 30.00dB		
TOLERANCES .X \pm .XX \pm .XXX \pm ANGLES X $^{\circ}$ \pm							FINISH				
THE INFORMATION CONTAINED HEREIN IS: (A) CONSIDERED PROPRIETARY TO FLORIDA RF LABS INC.; (B) PROTECTED BY COPYRIGHT OWNED BY FLORIDA RF LABS INC.; (C) CONSIDERED A "WORK FOR HIRE" UNDER COPYRIGHT LAW; (D) PROTECTED BY TRADE SECRET LAWS WHICH MAKE ILLEGAL THE MISAPPROPRIATION OF THIS INFORMATION; AND (E) IS TO BE USED SOLELY FOR THE PURPOSE WHICH IT IS SUPPLIED. THIS INFORMATION SHALL NOT BE DISCLOSED IN WHOLE OR IN PART, TO ANY PARTY, FOR ANY REASON WITHOUT THE EXPRESS WRITTEN CONSENT OF A QUALIFIED EXECUTIVE OF FLORIDA RF LABS INC.							SCALE	CAGE CODE ID NO.		SIZE	DRAWING NO.:
							1/1	2Y194	A	33-1052-30.00	N/C
REV.	DESCRIPTION	DRAWN	APVD.				MFG:	CHKD.:	DRAWN: ALM 10/18/02		SHEET OF