

EDD

NOTES:
UNLESS OTHERWISE SPECIFIED, TOLERANCES ARE $\pm .010$ " [.254mm].

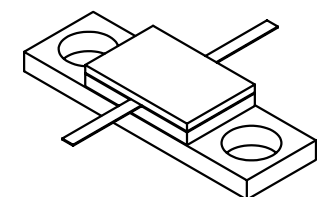
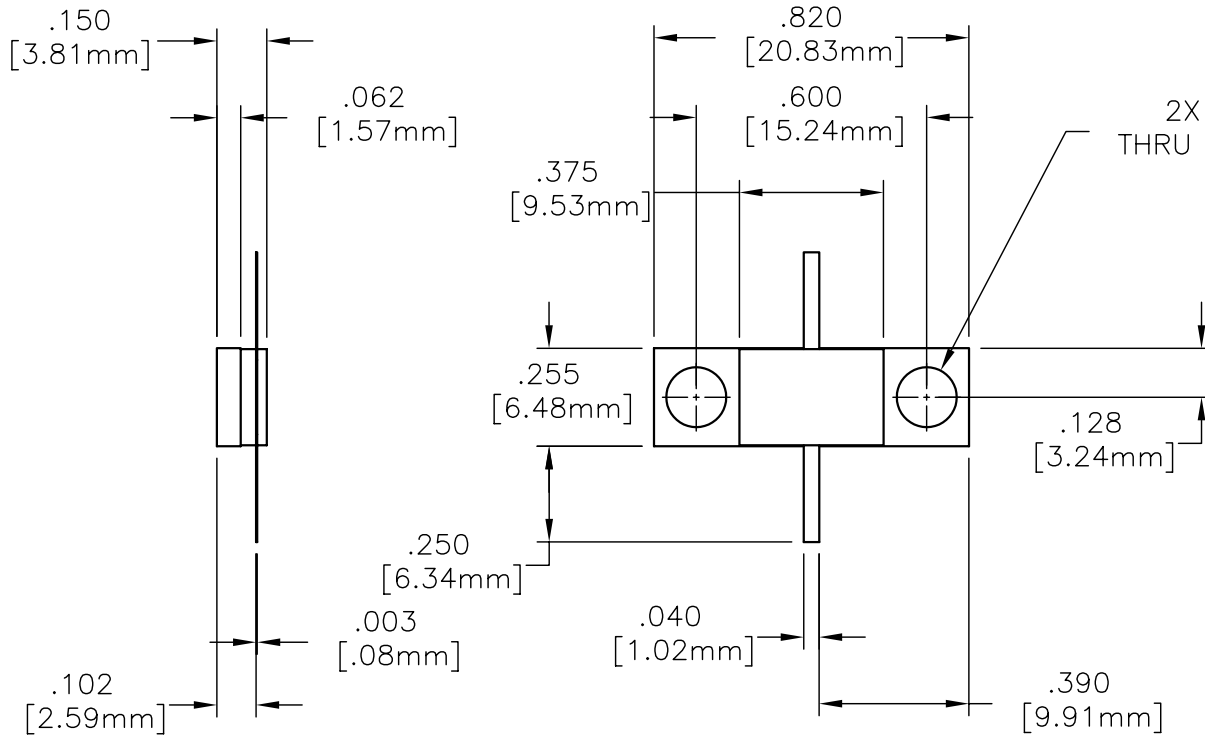
CAD#33-7004_A

DRAWING NO.:

33-7004-*

REV.

A



MATERIALS:


MTG. FLANGE: OFHC 1/4 HD
SUBSTRATE: ALUMINUM NITRIDE
COVER: ALUMINA
TAB: BERYLLIUM COPPER
RESISTIVE FILM: NICHROME

FINISH:

MTG. FLANGE: NICKEL OVER COPPER
TAB: TIN/LEAD PER MIL-T-10727

TECHNICAL: (ATTENUATOR)

NOMINAL IMPEDANCE: 50 OHMS
FREQUENCY RANGE: DC-3.0 GHz
VSWR (MAX): 1.15:1 DC-1.0 GHz
1.25:1 1.0-2.0 GHz
1.30:1 2.0-3.0 GHz
INPUT POWER: 100 WATTS
ATTENUATION STABILITY: .0001dB/dB/°C
ATTENUATION ACCURACY: ± 1.0 dB
TEMPERATURE COEFFICIENT: ± 200 PPM MAX
OPERATING TEMP. (°C): -55° TO +150°

				ECN# 00915	APVD OA	DATE 08/29/01	REFERENCE	 8851 OLD KANSAS AVE. STUART, FL. 34997 772-286-9300			
UNLESS OTHERWISE SPECIFIED 1. DO NOT SCALE DRAWING 2. DIMENSIONS ARE IN INCHES 3. DIMENSIONS ARE AFTER PLATING 4. CORNERS, EDGES AND FILLETS: R MAX 5. SURFACE ROUGHNESS: 6. REMOVE ALL BURRS							MATERIAL		TITLE		
TOLERANCES .X \pm .XX \pm .XXX \pm ANGLES X° \pm							FINISH	ATTENUATOR, FLANGE MOUNT, 100 WATT, -*=dB			
				THE INFORMATION CONTAINED HEREIN IS: (A) CONSIDERED PROPRIETARY TO FLORIDA RF LABS INC.; (B) PROTECTED BY COPYRIGHT OWNED BY FLORIDA RF LABS INC.; (C) CONSIDERED A "WORK FOR HIRE" UNDER COPYRIGHT LAW; (D) PROTECTED BY TRADE SECRET LAWS WHICH MAKE ILLEGAL THE MISAPPROPRIATION OF THIS INFORMATION; AND (E) IS TO BE USED SOLELY FOR THE PURPOSE WHICH IT IS SUPPLIED. THIS INFORMATION SHALL NOT BE DISCLOSED IN WHOLE OR IN PART, TO ANY PARTY, FOR ANY REASON WITHOUT THE EXPRESS WRITTEN CONSENT OF A QUALIFIED EXECUTIVE OF FLORIDA RF LABS INC.			SCALE 2/1	CAGE CODE ID NO. 2Y194	SIZE A	DRAWING NO.:	REV.
A	ECN#01981	ALM 03/28/03							33-7004-*	A	
REV.	DESCRIPTION	DRAWN	APVD.				MFG: MJK 08/30/01	CHKD.: NAK 08/24/01	DRAWN: PSC 08/22/01	SHEET	OF